

974-985  
E74-2 C.1  
100  
Let's protect our earth

PROPERTY OF  
NEW JERSEY STATE LIBRARY

MAY 21 1981

185 W. State Street  
Trenton, N.J.



# DEP BULLETIN

(INCLUDES DEPARTMENT OF TRANSPORTATION)

Brendan Byrne, Governor  
Jerry Fitzgerald English, Commissioner

NEW JERSEY DEPARTMENT OF ENVIRONMENTAL PROTECTION, CN 402, TRENTON, N.J. 08625

May 15, 1981

## TABLE OF CONTENTS

DEP PUBLIC HEARINGS, EVENTS OF INTEREST AND NEWS RELEASES .....SECTION A

SCHEDULE OF ADMINISTRATIVE HEARINGS .....SECTION B

ENVIRONMENTAL IMPACT STATEMENTS AND ASSESSMENTS .....SECTION C

NOTICE OF STATE, CERTIFICATIONS OF DRAFT, NPDES PERMITS.....SECTION C

PERMIT APPLICATION FILED OR ACTED UPON .....SECTION D

    WATERFRONT DEVELOPMENT

    WETLANDS

    STREAM ENCROACHMENTS

    SEWER EXTENSIONS

    COASTAL AREA FACILITY REVIEW ACT (CAFRA)

    PERMITS - OTHER THAN 90 DAY LAW PERMITS

    DEPARTMENT OF TRANSPORTATION

DELAWARE AND RARITAN CANAL COMMISSION APPLICATIONS.....SECTION E

SUMMARY OF PENDING PERMIT APPLICATIONS .....SECTION F

    WEEKLY STATUS TABLE OF PENDING APPLICATIONS

        A. INCOMPLETES (AWAITING INFORMATION) - 0 DAYS

        B. PENDING 0 - 30 DAYS

        C. PENDING 31 - 60 DAYS

        D. PENDING 61 - 90 DAYS

    LIST OF APPLICATIONS PENDING MORE THAN 60 DAYS

ABOUT THE DEP BULLETIN

The DEP BULLETIN is an informational service provided free of charge by the N.J. Department of Environmental Protection. It contains a list of construction permit applications filed with or acted upon by DEP. Interested persons will thus be able to determine the status of applications dealing with Waterfront Development permits, Wetland permits, Stream Encroachment permits, Sewerage Extension permits, and CAFRA permits (Coastal Area Facility Review Act). In addition the circular provides a calendar of Events of Interest and a Schedule of Public Hearings. *(THE PUBLIC HEARINGS HOWEVER, ARE NOT OFFICIAL NOTICES.)* Environmental Impact Statements acted upon during the week are also shown. Any additional information concerning the permits may be obtained by contacting the appropriate person listed below.

ENVIRONMENTAL IMPACT STATEMENTS

AND ASSESSMENTS . . . . .Lawrence Schmidt . . . . .(609) 292-2662

DIVISION OF COASTAL RESOURCES

For Coastal Permits (CAFRA, Wetlands and Waterfront Development) inquire according to location.

Waterfront Region . . . . .Darryl Jennus . . . . .(609) 292-8202  
(Bergen, part of Burlington along the Delaware River, Camden, Essex, Gloucester, Hudson, Mercer, Middlesex and Union)

Northern Shore . . . . .Philip Sandine . . . . .(609) 292-0060  
(Monmouth, Ocean, small segment of Burlington near Mullica River)

Southern Shore . . . . .Karl Braun . . . . .(609) 292-0061  
(Atlantic, Cape May, Cumberland, Salem, Ocean, part of Burlington)

DIVISION OF WATER RESOURCES

STREAM ENCROACHMENT . . . . .John O'Dowd . . . . .(609) 292-2373

SEWERAGE EXTENSIONS (Inquire according to location)

Atlantic Basin . . . . .Shadab Ahmad . . . . .(609) 292-6814

Delaware Basin . . . . .Stanley Cach . . . . .(609) 292-6859

Passaic-Hackensack . . . . .Hari Patel . . . . .(609) 984-6569

Raritan & Interstate Sanitation Commission . . . . .William Lawler . . . . .(609) 292-2482

PERMIT GUIDANCE AND COORDINATION FROM

DIVISION OF WATER RESOURCES. . . . .Stephen B. Schlags. . . . .(609) 292-6215

Printing and circulation of the DEP BULLETIN is handled through the Documents Distribution Center. Persons desiring to be included on the mailing list may call: (609) 292-9769 or write - Documents Distribution Center, CN 402, Trenton, N.J. 08625.

A UNIQUE SERVICE FOR NEW JERSEY INDUSTRY

USE THIS SERVICE FOR MAJOR PROJECTS

As Staff to Commissioner John J. Horn of the Department of Labor and Industry, the Office of Business Advocacy provides personalized assistance in resolving problems encountered when doing business in New Jersey. OBA's technical personnel function as industry ombudsmen in all areas of governmental activity.

The Office of Business Advocacy's objective is to cut red tape and get solutions to permit problems. OBA will designate a Permit Expediter to your project. The Permit Expediter will:

- A. Advise you of the state permits required for your project, upon completing "MASTER PERMIT INFORMATION APPLICATION FORM"
- B. Coordinate contacts with relevant local and state regulatory agencies upon request.
- C. Monitor the progress of your permit applications.
- D. Act to ensure processing of most permits within 90 days of application.
- E. Schedule "OVER THE COUNTER" processing for permits meeting appropriate criteria.

THE OFFICE OF BUSINESS ADVOCACY

Administrator . . . . .	Rocco Guerrieri, Ph.D
Permit Coordination Project Manager . . . . .	Paul Krane
State Permit Expeditors . . . . .	Samuel Mastrull
	Jeffrey A. Horn
Environmental Specialist . . . . .	John Serkies
Business Advocacy Specialist . . . . .	Phillips S. Heathcote
	Joseph T. Grossi

ASK FOR PERMIT COORDINATION - (609) 292-0700

OFFICE OF BUSINESS ADVOCACY, CN 380, TRENTON, N.J. 08625

## OVER-THE-COUNTER PERMITS

### I. STREAM ENCROACHMENT (609) - 292 - 4869

DEP now has a one-day processing service for certain minor stream encroachment permits. This "over-the-counter" service is limited to minor projects which do not adversely change the water carrying capacity of the floodway, do not increase erosion or sedimentation in the stream, and do not require substantial channel modification or relocation. For further information contact the Bureau of Flood Plain Management, CN 029, Trenton, N.J. 08625.

### II. WATERFRONT DEVELOPMENT (609) - 292 - 0060

DEP has a one-day processing service for minor waterfront development projects. This over-the-counter service applies to waterfront construction activity in man-made lagoons and minor maintenance and/or repair or replacement of lawful existing structures. For further information contact: Waterfront Development, CN 401, Trenton, N.J. 08625.

### III. SEWER EXTENSIONS (609) - 292 - 3846

DEP has a one-day processing service for "minor" sewer extension projects. Eligible projects must meet certain criteria, such as, length of 1000 linear feet or less, cost of \$25,000 or less, sewage flow per day of 12,000 gallons or less. No projects with pump stations, force mains, siphons, gallorage transfers or holding tanks will be processed over-the-counter. Projects can not be located in areas under sewer ban, administrative orders, or litigation.

Projects must be in-house by 9:30 a.m., and all administrative documents must be in proper order. Pre-application conferences are strongly recommended. For further information contact Division of Water Resources, CN 029, Trenton, N.J. 08625.

## MASTER PERMIT INFORMATION APPLICATION

DEP has developed a Master Permit Information Application which, upon completion, will indicate all the DEP permits required for the project. Forms may be obtained by contacting the Office of Business Advocacy (See inside cover for details).

MAILING ADDRESSES

DEPT. OF ENVIRONMENTAL PROTECTION  
CN 402, Trenton 08625

DIV. OF ADMINISTRATIVE OPERATIONS  
CN 402, Trenton 08625

DIV. OF ENVIRONMENTAL QUALITY  
CN 027, Trenton 08625

DIV. OF FISH, GAME & SHELLFISHERIES  
CN 003, Trenton 08625

DIV. OF COASTAL RESOURCES  
CN 401, Trenton 08625

SOLID WASTE ADMINISTRATION  
CN 027, Trenton 08625

DIV. OF PARKS & FORESTRY  
Bureau of Parks  
CN 404, Trenton 08625

Bureau of Forestry  
CN 404, Trenton 08625

DIV. OF WATER RESOURCES  
CN 029, Trenton 08625

MAPS & PUBLICATIONS  
Bur. of Geology & Topography  
CN 029, Trenton 08625

GREEN ACRES  
CN 404, Trenton 08625

STREET ADDRESSES

DEPT. OF ENVIRONMENTAL PROTECTION  
Office of the Commissioner  
Rm. 802, Labor & Industry Bldg.  
Trenton (609) 292-2885  
NEWARK OFFICE  
1100 Raymond Boulevard  
Room 510 (201) 648-2030

DIV. OF ADMINISTRATIVE OPERATIONS  
Office of the Director &  
Bureau of Personnel  
Rm. 809, Labor & Industry Bldg.  
Trenton (609) 292-2917

Fiscal and Support Services Unit  
4th Floor, 88 East State Street  
Trenton (609) 292-9230

Bureau of Manpower Planning  
501 John Fitchway  
Trenton (609) 292-5660

DIV. OF ENVIRONMENTAL QUALITY  
Office of the Director and  
Bureau of Air Pollution Control  
Rm. 1108, Labor & Industry Bldg.  
Trenton (609) 292-5383

Office of Radiation Protection  
Pesticides, Noise  
United Sierra Building  
380 Scotch Road  
West Trenton (609) 292-5586

DIV. OF FISH, GAME & SHELLFISHERIES  
363 Pennington Avenue  
Trenton (609) 292-2965

DIV. OF COASTAL RESOURCES  
Rm. 711, Labor & Industry Bldg.  
Trenton (609) 292-2733

DIV. OF PARKS & FORESTRY  
Rm. 806, Labor & Industry Bldg.  
Trenton (609) 292-2733

Historic Sites Section  
109 West State Street  
Trenton (609) 292-2023

DIV. OF WATER RESOURCES  
1474 Prospect Street  
Trenton (609) 292-1637

SOLID WASTE ADMINISTRATION  
32 East Hanover Street  
Trenton (609) 292-9120

GREEN ACRES  
1301 Parkside Avenue  
Trenton (609) 292-2454

All DEP Public Hearings, Administrative Hearings, and DEP  
Events of Public Interest are open to the public.

DEP Events of Public Interest include: public hearings, council meetings, workshops, public information meetings, and exams.

Public Hearings (Quasi - Legislative) - are held for the purpose of obtaining input and reaction to a proposed rule, regulation, or new program. Some hearings may be mandated by law. Generally their scope of impact is statewide, or of broad general interest.

Administrative Hearings (Quasi - Judicial) - are held between the state and a particular party involving an application, enforcement - violation or an appeal. Interest in these hearings is generally limited to those directly involved.

DEPARTMENT OF ENVIRONMENTAL PROTECTION  
EVENTS OF INTEREST AS OF 05/14/81

PAGE A- 1

MAY	20	ALLAMUCHY MOUNTAIN STATE PK BYRAM TOWNSHIP MUN BLDG MANSFIELD DRIVE STANHOPE	, NJ	- 08:00 PM
MAY	28	LABORATORY CERTIFICATIONS RUTGERS UNIV LAW CENTER RM106 5TH&PENN STS CAMDEN	, NJ	10:00 AM
MAY	28	TIDELANDS RESOURCE COUNCIL RM 702 L & I BLDG JOHN FITCH PLAZA TRENTON	, NJ	10:00 AM
MAY	29	LABORATORY CERTIFICATION NJIT-ALUMNI CETER-SEMINA R RM 150 BLEAKER ST NEWARK	, NJ	10:00 AM
JUNE	9	CLEAN WATER COUNCIL REG M&S DRBC HEADQUARTERS STATE POLICE DRIVE W TRENTON	, NJ	- 09:30 AM
JUNE	10	TIDELANDS RESOURCE COUNCIL RM 702 L&I BLDG JOHN FITCH PLAZA TRENTON	, NJ	- 10:00 AM
JUNE	15	WATER POLICY&SUPPLY COUNCIL 1474 PROSPECT STREET CONF.RM.A. 2ND. FLOOR TRENTON	, NJ	10:00 AM
JUNE	25	TIDELANDS RESOURCE COUNCIL L&I BLDG ROOM 702 JOHN FUTCH PLAZA TRENTON	, NJ	10:00 AM

(Recent press releases in capsule form)

April 27--ALTERNATIVE PLANNED FOR WASTEWATER TREATMENT CAPACITIES--DEP Commissioner Jerry Fitzgerald English announced that a major change has been approved in planning for expansion of wastewater capacities in the Manasquan Regional Sewerage Authority wastewater treatment plant planned for Wall Township (Monmouth County). The approved plan involves the construction of a system to provide an alternative flow of wastewater generated in the Manasquan River Area from the proposed plant to an existing Ocean County Utilities Authority Sewerage Plant. The change to the original proposal was prompted by public comments received by DEP at a hearing held in late 1980 on a Coastal Area Facility Review Act (CAFRA) permit application for the proposed plant.

\* \* \*

April 29--ADMINISTRATIVE PENALTIES ASSESSED--DEP's Division of Water Resources announced the recent assessment of two Administrative Orders with penalties totalling \$5,801.60 for violations in Mercer and Union counties during the week of March 30-April 3.

\* \* \*

May 5--TRENTON-EWING SOLID WASTE FACILITY FINED--DEP's Solid Waste Administration has assessed \$5,000 in penalties against the Trenton-Ewing Solid Waste Transfer Facility, Dover and Stokes avenues, Ewing Township, Mercer County. The facility, where piled-up waste had caught fire on April 20, was cited for improper waste storage and lack of required fire-fighting provisions.

\* \* \*

May 6--PENALTY ASSESSED FOR CONTAMINATED WASTE OIL BURNING--DEP Commissioner English announced that sampling has found unexpected levels of PCB's in waste oil used for fuel at International Flavors and Fragrances, Inc.'s (IFF) manufacturing plant in Union Beach, Monmouth County. DEP has ordered the IFF to shut down an incinerator and cease the use of the fuel in two boilers, and has assessed the firm \$4,500 in penalties.

\* \* \*

May 7--DIVISION OF ENVIRONMENTAL QUALITY ENFORCEMENT ACTIONS--DEP's Division of Environmental Quality issued 105 Administrative Orders and imposed 34 penalties totalling \$55,000 in the period March 26 through April 24. The Division oversees solid and hazardous waste management, air pollution control, pesticide and radiation safety, and noise control in New Jersey.

\* \* \*

May 7--INTERAGENCY TASK FORCE SET FOR VEHICLE EMISSIONS--N.J. Attorney General James R. Zazzali and DEP Commissioner Jerry Fitzgerald English announced the joint signing of a "Memorandum of Understanding" between DEP and the Department of Law and Public Safety, permanently establishing an interagency task force to maintain and upgrade inspection/maintenance standards for emissions control of vehicles licensed in this State.

\* \* \*

May 7--ORDER ISSUED HALTING ROLLINS TREATMENT ACTIVITIES PENDING INVESTIGATION--DEP Commissioner English announced the issuance of an Administrative Order to Rollins Environmental Services, Inc. of Bridgeport, Logan Township (Gloucester County), closing that facility pending the investigation of a mishap that occurred on Monday, May 4. By agreement reached with Rollins management, all waste disposal

-more-

and treatment activities have been suspended at the facility since the accident occurred.

\* \* \*

May 8--DEP Commissioner English announced that a Wastewater Treatment Facility Construction Seminar will be held on Monday, May 11, and Tuesday, May 12, in Edison Township, Middlesex County. Scheduled topics include: phases of a construction project, selection of an architect and engineer, dealing with regulatory agencies, contracts, project control and scheduling, cost control, change orders, crisis management, and project closeout.

# # #

DATE	TIME	SUBJECT / PERMIT TYPE	PLACE	DEP ASSIGNED PROJECT REVIEWER	DOCKET NUMBER
MAY THURSDAY	14 10:30 AM	ICI SERVICE CORPORATION GALLOWAY TWP. ATL COUNTY CAFRA REEDS BAY VILLAGE 8 78 RESIDENTIAL DEV	CITY HALL COUNCIL CHAMBER 625 W WHITE HORSE PIKE COLOGNE , NJ	KARL BRAUN	81-0490-5
MAY THURSDAY	14 10:30 AM	RF DOSS BERKELEY TWP. OCE COUNTY CAFRA SILVER RIDGE			80-0468-5
MAY FRIDAY	15 10:30 AM	ITAL REALTY INC LITTLE EGG HARBO OCE COUNTY CAFRA ITAL REALTY INC 24 UNITS- SFD	L EGG HARBOR TWP MUN BLDG ROUTE 19 & GIFFORD RD L EGG HARBOR , NJ	PHIL SANDINE	81-0485-5
MAY MONDAY	18 09:00 AM	CLEAN AIR COUNCIL MEETING EDISON TWP. MID COUNTY	ROOM 107, WEST HALL MIDDLESEX COUNTY COLLEGE - EDISON , NJ	-	- -
JUNE MONDAY	1 10:00 AM	ATLANTIC CITY MUA ATLANTIC CITY ATL COUNTY  WS APPLIC NO 1852 HEARING BEFORE WATER POLICY AND SUPPLY COUNCIL	DIVISION CONFERENCE ROOM 1474 PROSPECT STREET TRENTON , NJ	-WEBSTER	- -
JUNE THURSDAY	4 10:00 AM	FRANCIS AND AITHEAMROCKA LITTLE FALLS TWP PAS COUNTY  ENCROACMENT APPLIC NO 9491 HEARING BEFORE WATER POLICY AND SUPPLY COUNCIL	DIVISION CONFERENCE ROOM 1474 PROSPECT STREET TRENTON , NJ	HOFMAN	- -

PERIODIC BULLETIN  
DEPARTMENT OF ENVIRONMENTAL PROTECTION

ENVIRONMENTAL IMPACT STATEMENTS  
AND ASSESSMENTS

Section C  
IMPACT STATEMENTS OR ASSESSMENTS  
FILED OR ACTED UPON  
DURING PERIOD OF: 4/27/81 THRU 5/8/81

LOCATION OF PROJECT		PROJECT DESIGNATION AND/OR NATURE OF CONSTRUCTION PROJECT	SPONSOR & ADDRESS	LEAD AGENCY & ADDRESS	TYPE OF REVIEW	STATUS OF APPLICATION		ACTION TAKEN
COUNTY	MUNICIPALITY					DATE FILED	REVIEW PERIOD	
Morris	Great Swamp National Wildlife Refuge	Pleasant Plains Boro. & Mgt. Area Roads Rehabilitation	U.S. Fish & Wildlife Service 1 Gateway Center Suite 700 Newton Corner Mass. 02158	U.S. Fish & Wildlife Service 1 Gateway Center Suite 700 Newton Corner Mass. 02158	NEPA (Environmental Assessment)	4-27-81	30 Days	Under Review
Hudson & Essex	Elizabeth Newark & Jersey City	Port Authority Industrial Park Development & Resource Recovery	Port Authority N.Y., N.Y.	U.S. EDA Washington, DC	NEPA (Draft EIS)	4-27-81	45 Days	Under Review
Middlesex	Plainsboro	Plainsboro Bypass Road	Plainsboro N.J.	NJ DOT 1035 Parkway Ave. Trenton	EO#53 (Environmental Assessment)	4-27-81	30 Days	Under Review
Somerset, Middlesex & Union		Green Brook Flood Control	Army Corps of Engineers Washington, DC 20314	Army Corps of Engineers Washington, DC 20314	NEPA (Final EIS)	5-1-81	90 Days	Under Review
Camden	Camden	Teaching & Research Facility	College of Medicine & Denistry	DBC CN 235 Trenton 08625	EO#53 (Environmental Assessment)	5-5-81	4 Weeks	Under Review
Warren	Pohatcong Township	Shimer's Brook Flood Control	Water Resources 1474 Prospect St. Trenton, NJ 08625	Water Resources 1474 Prospect St. Trenton, NJ 08625	EO#53 (Environmental Assessment)	4-13-81	4 Weeks	Review Completed
Generic		Disposal of US DOD DDF	Dept. of Defense Omaha, Nebraska 68102	Dept. of Defense Omaha, Nebraska 68102	NEPA (Final EIS)	3-30-81	30 Days	Review Completed



State of New Jersey  
 DEPARTMENT OF ENVIRONMENTAL PROTECTION  
 DIVISION OF WATER RESOURCES  
 P. O. BOX CN-029  
 TRENTON, NEW JERSEY 08625

New Jersey Department of  
 Environmental Protection  
 Division of Water Resources  
 P.O. Box CN-029  
 Trenton, New Jersey 08625  
 (609) 292-5262

PUBLIC NOTICE

NOTICE: STATE CERTIFICATION OF DRAFT NPDES PERMITS

Notice is hereby given that the applicants, as listed on the following table, have applied to the United States Environmental Protection Agency (EPA) under the provisions of the Clean Water Act, 33 U.S.C. §1251 et seq. (the Act), for a National Pollutant Discharge Elimination System (NPDES) permit to discharge pollutants from facilities, located as shown on the table, into navigable waters of the United States.

The New Jersey Department of Environmental Protection (NJDEP) has certified the draft permit in accordance with the provisions of Section 401 of the Act. A description of each proposed discharge and the receiving body of water is given.

The United States Environmental Protection Agency has tentatively decided to issue a NPDES permit to the applicants. The State of New Jersey Department of Environmental Protection (NJDEP) has issued certifications of the draft NPDES permit subject to certain effluent limitations, standards, prohibitions, and other conditions, necessary to carry out the provisions of the Act and the "New Jersey Water Pollution Control Act," N.J.S.A. 58:10A-1 et seq. The certification formulated by DEP is based upon the administrative record.

Each administrative record is on file at the offices of the NJDEP Division of Water Resources, located on 1474 Prospect Street in the Township of Ewing, Mercer County, N.J., and may be inspected and for a fee copied between 8:30 a.m. and 4:00 p.m., Monday through Friday. A copy of each state certification, and other available information may be obtained by writing to the address which appears at the top of this notice.

Interested persons may submit written comments on the state certification and administrative record to the Assistant Director, Water Quality Management at the above address cited. A copy of the comments should be sent to the Chief, Permits Administration Branch, Region II, U.S.E.P.A., 26 Federal Plaza, New York, New York 10007. All comments shall be submitted within 30 days of the date, of this public notice.

In lieu of, or in addition to, the submission of comments as above provided, any interested person may request that the Commissioner of NJDEP hold a hearing regarding the certification of the proposed discharge. Such request shall indicate the proposed issues to be considered at the hearing.

Any request for a public hearing regarding NJDEP's certification of the proposed discharge should be in writing and submitted to the Assistant Director, Water Quality Management, at the above address with a copy of the request to the Chief, Permits Administration Branch, EPA, Region II. Such request shall be submitted within 30 days of the date of this public notice.

If NJDEP orders that a public hearing be held regarding its certification, and the Enforcement Division Director of EPA, Region II, has also decided to hold a public hearing, the hearings will be held jointly by NJDEP and EPA. If the Enforcement Division Director of EPA, Region II, has decided not to hold a public hearing, NJDEP may itself hold a public hearing regarding its certification.

If NJDEP does not hold a public hearing or reopen the comment period, NJDEP will consider the issuance of the certification to be final within 30 days of the date of this public notice. All comments timely submitted by interested persons in response to this notice, and statements and other evidence properly submitted at any public hearing held by NJDEP will be considered with respect to this certification for a permit.

NJDEP's decision on the issue of whether to hold any hearing, the administration of any hearing and the rights and obligations of participants are governed by NPDES regulations (40 CFR 124) and the "Administrative Procedures Act" N.J.S.A. 52:14B-1 et seq.

Dr. Marwan M. Sadat, P.E.  
Assistant Director  
Water Quality Management

WQM1:dlw

## NEW JERSEY DEPARTMENT OF ENVIRONMENTAL PROTECTION BULLETIN

## DRAFT NPDES PERMIT CERTIFICATIONS

NO. NPDES APPLICATION NO.	APPLICANT'S NAME AND ADDRESS	FACILITY LOCATION	DESCRIPTION OF DISCHARGE AND RECEIVING WATERS	MILESTONE DATES
NJ0004791	Limestone Products Corp. RD#1 Box 290 Lafayette, NJ 07848	Lime Crest Road Sparta, N.J.	<p>The applicant produces 2,000 tons of crushed stone per day. The applicant utilized 55 MGD of ground water of which 5.195 MGD is quarry discharge water, 0.288 MGD is used for cooling water; 0.013 MGD is used for process water and 0.004 MGD is used for sanitary purposes. Approximately 0.013 MGD are consumed within the plant and the 0.004 MGD of sanitary waste is disposed of underground. The remaining 5.483 MGD is discharged into a tributary of Paulinskill River from two Discharges 1,050 feet apart from each other. The SIC code for the operation is 1422.</p> <p>The Paulinskill River is classified as FW-2 waters by the State of New Jersey.</p>	<p>Certification Date 3/4/81</p>

## NEW JERSEY DEPARTMENT OF ENVIRONMENTAL PROTECTION BULLETIN

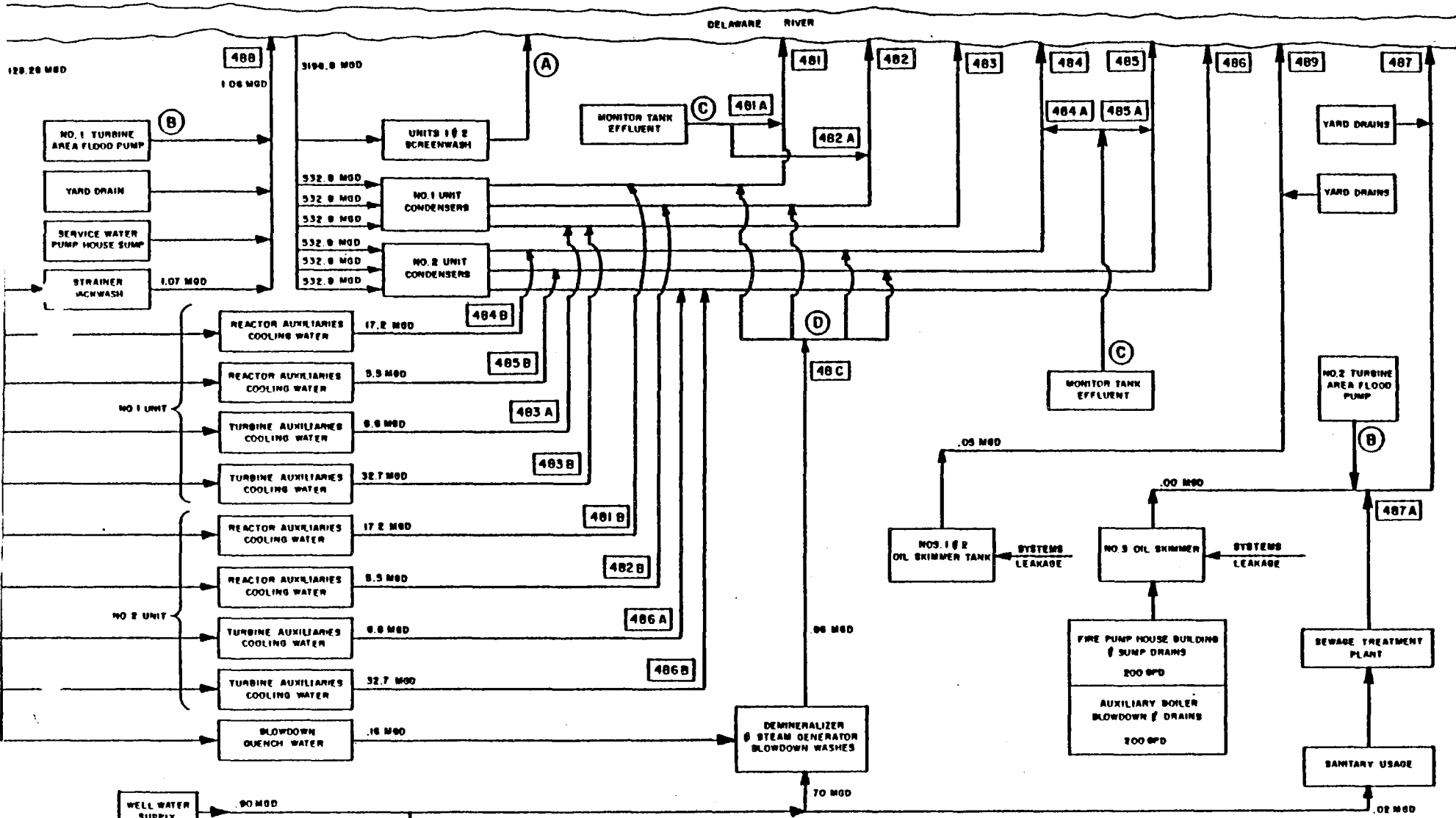
## DRAFT NPDES PERMIT CERTIFICATIONS

No. NPDES APPLICATION NO.	APPLICANT'S NAME AND ADDRESS	FACILITY LOCATION	DESCRIPTION OF DISCHARGE AND RECEIVING WATERS	MILESTONE DATES
NJ0003816	W.A. Cleary Corporation, 1049 Somerset Street Somerset(Franklin Twp.), NJ 08873	1049 Somerset St. Somerset, NJ 08873	The applicant processes food additives, principally lecithin (SIC classification is 209). 2000 gallons per day of equip- ment washwater and cooling water are discharged into three settling ponds in series and thence into Mile Run, classified as FW-3 waters.	Certification Date 3/13/81
NJ0001775 (amended Cert.)	Owens-Illinois, Inc. Holmdel, Monmouth County	Holmdel, NJ	The applicants activities are the manufacture of paper and plastic drinking cups and containers. There are currently 5 discharge points at the facility discharging into Horse Leg Brook classified as FW-2 waters.	3/23/81
NJ0005622	Public Service Electric and Gas Co. 80 Park Place Newark, NJ 07101	Salem Generating Station Artificial Island Lower Alloways Creek Township Salem County, NJ	Facility is involved in production of electricity. There are 10 sepa- rate discharge points. Discharge A is screenwash water used to remove impinged fish and debris from the water intake traveling screen. The washwater also provides augmentation flows to a sluice way for returning fish and debris to the river.	4/13/81
			Discharges 481,482,484 and 485 consist of non-contact cooling water and treated radioactive liquid wastes.	
			Discharges 483 and 486 consist of non-contact cooling water.	
			Discharge 487 consists of sewage treatment plant effluent and oil skimmer effluent.	

NEW JERSEY DEPARTMENT OF ENVIRONMENTAL PROTECTION BULLETIN

DRAFT NPDES PERMIT CERTIFICATIONS

No. NPDES APPLICATION NO.	APPLICANT'S NAME AND ADDRESS	FACILITY LOCATION	DESCRIPTION OF DISCHARGE AND RECEIVING WATERS	MILESTONE DATES
			<p>Discharge 488 consists of flood pump, yard drain, service water pump house pump and strainer backwash water; is predominantly backwash water.</p> <p>Discharge 489 consists of oil skimmer tank effluent.</p> <p>All discharges go to the Delaware River Zone 5. The total volume discharged is 3,222,820 thousand gallons per day.</p> <p>The SIC number for this operation is 4931.</p>	<p>Certification Date</p>



- NOTES:
1. ALL FLOWS ARE IN MILLIONS OF GALLONS PER DAY, EXCEPT AS NOTED
  2. FLOW VALUES ARE EXPECTED DAILY AVERAGES
  3. \* = DRINKING WATER, FIRE PROTECTION SYSTEMS, EVAPORATION, MISCELLANEOUS EQUIPMENT CLEANING, MISCELLANEOUS BUILDING & GROUND CLEANING, CITY WATER SYSTEM LEAKAGE, ETC.
  4. (A) (B) (C) (D) = SEE EXPLANATION, PAGE T-34

**SCHEMATIC OF WATER FLOW**  
**PUBLIC SERVICE ELECTRIC & GAS CO.**  
**SALEM GENERATING STATION**  
**LOWER ALLOWAYS CREEK TOWNSHIP**  
**COUNTY OF SALEM**  
**STATE OF NEW JERSEY**  
 SEPT. 25, 1979 PAGE 1 OF 1

## NEW JERSEY DEPARTMENT OF ENVIRONMENTAL PROTECTION

Through 5/8/81  
as follows:

NJDEP had completed decisions on 469 permit applications under the "90-Day Law" (P.L. 1975-Chapter 232)

TYPE OF PERMIT	COMPLETED THROUGH 4/24/81 (Adjusted Data)*	COMPLETED DURING WEEK OF 4/25/81 - 5/8/81	COMPLETED AS OF 5/8/81
WATERFRONT DEVELOPMENT	153	19	172
STREAM ENCROACHMENT	117	18	135
WETLANDS	6	0	6
SEWER HOOK-UPS	132	3	135
CAFRA	<u>20</u>	<u>1</u>	<u>21</u>
TOTAL	428	41	469

Data on the "90-Day Law" permit applications follow on the remaining pages of the Bulletin. (The approval and denial codes used on the last column are explained at the end of this computer print-out table.)

\* Reported Data is adjusted for reporting and computer entry time lag.

NEW JERSEY DEPARTMENT OF ENVIRONMENTAL PROTECTION BULLETIN  
CHANGES IN STATUS FOR PERIOD 04/25/81 TO 05/08/81

PAGE D- 1

APPLICATIONS ACCEPTED PRIOR TO DECEMBER 22, 1975 ARE NOT COVERED BY THE '90 DAY LAW'

DOCKET NO. PROJECT LOCATION	PROJECT DESCRIPTION	APPLICANT'S NAME/ADDRESS	FIRM'S NAME/ADDRESS	STATUS OF APPLICATION MILESTONE DATES
<b>RIPARIAN PERMIT APPLICATIONS</b>				
79-9286-1 OCEAN DOVER TWP.	CONSTRUCT BULKHEAD ING & D DOCK SILVER BAY L-4-5 & 6 B- 2-F TOMS RIVER	DUTTON FREDERICK D 26 SPRUCE CT MOORESTOWN NJ 08057	APPLICANT	ACCEPTED WITH A REQUEST FOR ADDITIONAL INFO. 07/18/79* ADD. INFO. RECEIVED 02/15/81* ACCEPTED AS COMPLETE 02/15/81* BEGIN 90 DAY CALENDAR 02/15/81* DECISION: APPROVED 05/05/81*
80-0029-1 CUMBERLAND P MAURICE RIVER TW	CONSTRUCT PIER DELAWARE BAY L-59 B-108 MAURICE RIVER TW REMARKS: REQUIRES GRANT LEASE OR LICENSE	DAVENPORT ROBERT E 719 DEB LYNN DR ERIAL NJ 08080	A E BERNARD C E	ACCEPTED WITH A REQUEST FOR ADDITIONAL INFO. 01/23/80 ADD. INFO. RECEIVED 03/11/81* ACCEPTED AS COMPLETE 03/11/81* BEGIN 90 DAY CALENDAR 03/11/81* DECISION: APPROVED 04/30/81*
80-0118-1 CUMBERLAND DOWNE TWP.	REPLACE DOCK & PILING NANTU XENT CREEK L-6 B-1B DOWNE TWP	BIVALVE PACKING CO INC PO BOX 336 MILLER AVE PORT NORRIS NJ 08349	GEORGE A SCHOCK & ASSOC 711 E MAIN ST PO BOX 774 MILLVILLE NJ 08349	ACCEPTED WITH A REQUEST FOR ADDITIONAL INFO. 03/13/80 ADD. INFO. RECEIVED 02/23/81* ACCEPTED AS COMPLETE 02/23/81* BEGIN 90 DAY CALENDAR 02/23/81* DECISION: APPROVED 04/28/81*
80-0259-1 OCEAN STAFFORD TWP.	CONSTRUCT A DOCK MLLL CREEK L-20 B-147-54 SEC G STAFFORD TWP REMARKS: REQUIRES GRANT LEASE OR LICENSE	BORDEN EUGENE M 1659 MOLL CREEK RD MANAHAWKIN NJ 08050	APPLICANT	ACCEPTED WITH A REQUEST FOR ADDITIONAL INFO. 06/10/80 ADD. INFO. RECEIVED 01/20/81* ACCEPTED AS COMPLETE 01/20/81* BEGIN 90 DAY CALENDAR 01/20/81* DECISION: APPROVED 04/15/81*
80-0264-1 BERGEN LITTLE FERRY BOR	MAINTAIN EXISTING STRUCTURE RISER DITCH L-24 B-105 LITTLE FERRY BORO REMARKS: REQUIRES GRANT LEASE OR LICENSE	LO IACONO VINCENT S & FRA 4 BIRCH ST LITTLE FERRY NJ 07643	FRANK W KOESTNER PO BOX 514 HACKENSACK NJ 07602	ACCEPTED WITH A REQUEST FOR ADDITIONAL INFO. 04/20/81*
80-0330-1 CUMBERLAND MAURICE RIVER TW	LEGALIZE EXISTING PIER DELA WARE BAY L 24 B86D MAURICE RIVER TW REMARKS: REQUIRES GRANT LEASE OR LICENSE	ROSENBERGER ABE P 238 MONTGOMERY AVE SOUDERTON PA 18964	APPLICANT	ACCEPTED WITH A REQUEST FOR ADDITIONAL INFO. 07/23/80 ADD. INFO. RECEIVED 02/01/81* ACCEPTED AS COMPLETE 02/01/81* BEGIN 90 DAY CALENDAR 02/01/81* DECISION: APPROVED 04/28/81*

DOCKET NO. PROJECT DESCRIPTION PROJECT LOCATION	APPLICANT'S NAME/ADDRESS	FIRM'S NAME/ADDRESS	STATUS OF APPLICATION MILESTONE DATES
<b>RIPARIAN PERMIT APPLICATIONS</b>			
80-0372-1 MIDDLESEX EAST BRUNSWICK EAST BRUNSWICK T INSTALL DOCK & FLOAT SOUTH RIVER LB 09 B134 REMARKS: REQUIRES GRANT LEASE OR LICENSE	PESETSKY WALTER & IRENE 28 RIVER RD EAST BRUNSWICK NJ 08816	WILLIAM J MACNIVEN JR LS 103 FIRST ST MILLTOWN NJ 08850	ACCEPTED WITH A REQUEST FOR ADDITIONAL INFO. 08/13/80 ADD. INFO. RECEIVED 02/10/81* ACCEPTED AS COMPLETE 02/10/81* BEGIN 90 DAY CALENDAR 02/10/81* DECISION: APPROVED 04/28/81*
80-0465-1 ATLANTIC ATLANTIC CITY REPLACE PIER ATLANTIC OCEAN L-59 B-37 ATLANTIC CITY	KRAVCO INC 160 KING OF PRUSSIA PLAZA KING OF PRUSSIA PA 19406	ARTHUR W PONZIO SR 400 NORTH DOVER AVE ATLANTIC CITY NJ 08401	ACCEPTED WITH A REQUEST FOR ADDITIONAL INFO. 10/16/80 ADD. INFO. RECEIVED 12/15/80* ACCEPTED AS COMPLETE 12/15/80* BEGIN 90 DAY CALENDAR 12/15/80* DECISION: APPROVED 02/01/81*
80-0479-1 ATLANTIC BRIGANTINE CONSTRUCT BULKHEAD EOPIER W ADING THOROFARE L-385A B-852 BRIGANTINE CITY REMARKS: REQUIRES GRANT LEASE OR LICENSE	GARSON HENRY 1801 KENNED BLVD PHILADELPHIA PA 19103	SCHILLING DIV PENNONI ASS 555 NEW JERSEY AVE ABSECON NJ 08201	ACCEPTED WITH A REQUEST FOR ADDITIONAL INFO. 10/21/80 ADD. INFO. RECEIVED 03/20/81* ACCEPTED AS COMPLETE 03/20/81* BEGIN 90 DAY CALENDAR 03/20/81* DECISION: APPROVED 04/28/81*
90-0509-1 MIDDLESEX SOUTH RIVER SOUTH RIVER HORO MAINTAIN FILL SOUTH RIVER L-1 B-325 SOUTH RIVER REMARKS: REQUIRES GRANT LEASE OR LICENSE	PETRIE VINCENT L JR 11 HIGH ST SOUTH RIVER NJ 08882	APPLICANT	ACCEPTED WITH A REQUEST FOR ADDITIONAL INFO. 11/10/80*
80-0522-1 HUNTERDON ALEXANDRIA TWP. REPLACE EXISTING BRIDGE NOE S CREEK CARTERET	COUNTY OF MIDDLESEX JOHN F KENNEDY SQUARE NEW BRUNSWICK NJ 08901	MIDDLESEX CO BO CHOS FREE PO BOX 1248 NEW BRUNSWICK NJ 08903	ACCEPTED WITH A REQUEST FOR ADDITIONAL INFO. 11/21/80 ADD. INFO. RECEIVED 02/20/81* ACCEPTED AS COMPLETE 02/20/81* BEGIN 90 DAY CALENDAR 02/20/81* DECISION: APPROVED 04/28/81*
81-0017-1 MONMOUTH AVON-BY-THE-SEA- MAINTENANCE DREDGING SHARK RIVER AVON-BY-THE-SEA	STATE OF NJ BUR COASTAL E 1433 HOOPER AVE TOMS RIVER NJ 08753	APPLICANT	ACCEPTED WITH A REQUEST FOR ADDITIONAL INFO. 12/18/80 DECISION: APPROVED 04/30/81*
81-0027-1 OCEAN LONG BEACH TWP. LONG BEACH TWP. CONSTRUCT DOCK BREADWATER LITTLE EGG HARBOR BAY BF 36	SOUTHWICK RICHARD 32ND STREET LONG BEACH TWP NJ 08808	WILCOX & GRAVATT INC PO BOX 756 FORKED RIVER NJ 08731	ACCEPTED WITH A REQUEST FOR ADDITIONAL INFO. 12/31/80 DECISION: APPROVED 04/28/81*

NEW JERSEY DEPARTMENT OF ENVIRONMENTAL PROTECTION BULLETIN  
 CHANGES IN STATUS FOR PERIOD 04/25/81 TO 05/08/81

DOCKET NO. PROJECT LOCATION	PROJECT DESCRIPTION	APPLICANT'S NAME/ADDRESS	FIRM'S NAME/ADDRESS	STATUS OF APPLICATION MILESTONE DATES
<b>RIPARIAN PERMIT APPLICATIONS</b>				
81-0035-1 MONMOUTH MANASQUAN BORO	REPAIR BULKHEAD UTLET CREEK R169 L11 MANASQUAN	0 MACRO HELEN 34 SECOND ST RARITAN NJ 08869	1209 JOHNSON & SONS INC 1209 JOHNSON AVE POINT PLEASANT NJ 08742	ACCEPTED WITH A REQUEST FOR ADDITIONAL INFO. 01/07/81 ADD. INFO. RECEIVED 05/04/81* ACCEPTED AS COMPLETE 05/04/81* BEGIN 90 DAY CALENDAR 05/04/81*
81-0057-1 OCEAN BRICK TWP.	CONSTRUCT BULKHEAD & FILL LAGOON L-7 B-2110-17 BAYVIL LE BRICK TWP	CUMMERFORD MICHAEL 359 ARLINGTON AVE BAYVILLE NJ 08721	BIRD CONSTRUCTION INC 635 RT 9 PO BOX 308 BAYVILLE NJ 08721	ACCEPTED WITH A REQUEST FOR ADDITIONAL INFO. 01/14/81 ADD. INFO. RECEIVED 03/10/81* ACCEPTED AS COMPLETE 03/10/81* BEGIN 90 DAY CALENDAR 03/10/81* DECISION: APPROVED 04/30/81*
81-0061-1 UNION LINDEN CITY	MAINTENANCE DREDGING ARTHUR KILL LINDEN RT 73 & GREENTREE RD 202	BP OIL CO MARLTON NJ 08053	211 SOUTH BROAD ST PHILADELPHIA PA 19107	ACCEPTED WITH A REQUEST FOR ADDITIONAL INFO. 01/19/81 ADD. INFO. RECEIVED 01/28/81* ACCEPTED AS COMPLETE 01/28/81* BEGIN 90 DAY CALENDAR 01/28/81* DECISION: APPROVED 04/24/81*
81-0062-1 MIDDLESEX CARTERET BORO	MAINTENANCE DREDGING ARTHUR KILL CARTERET	GENERAL AMERICAN TRANSPOR 78 LAFAYETTE ST CARTERET NJ 07008	WILLIAM W GINGERICH 117 NORTH AVE WEST CRANFORD NJ 07016	ACCEPTED WITH A REQUEST FOR ADDITIONAL INFO. 01/19/81 ADD. INFO. RECEIVED 01/28/81* ACCEPTED AS COMPLETE 01/28/81* BEGIN 90 DAY CALENDAR 01/28/81* DECISION: APPROVED 04/16/81*
81-0076-1 OCEAN BEACH HAVEN BORO	CONSTRUCT BULKHEAD LOUISE L AGDOON WARETOWN L-5-6 B-169	MCCREA JOHN 39 CAROL PLACE BLOOMFIELD NJ 07003	APPLICANT	ACCEPTED WITH A REQUEST FOR ADDITIONAL INFO. 01/22/81 ADD. INFO. RECEIVED 02/23/81 ACCEPTED AS COMPLETE 02/23/81 BEGIN 90 DAY CALENDAR 02/23/81 DECISION: APPROVED 04/28/81*
81-0077-1 OCEAN BERKELEY TWP.	CONSTRUCT DOCK & PILINGS TO MS RIVER L-20 B-1023-3 BERKELEY TWP.	WAGNER JOHN T 1455 DONNA DR SOUTH HAMPTON PA 18966	FELLOWS READ & WEBER INC 310 MAIN ST TOMS RIVER NJ 08753	ACCEPTED WITH A REQUEST FOR ADDITIONAL INFO. 01/22/81 ADD. INFO. RECEIVED 03/19/81 ACCEPTED AS COMPLETE 03/19/81 BEGIN 90 DAY CALENDAR 03/19/81 DECISION: APPROVED 04/28/81*

DOCKET NO. PROJECT LOCATION	PROJECT DESCRIPTION	APPLICANT'S NAME/ADDRESS	FIRM'S NAME/ADDRESS	STATUS OF APPLICATION MILESTONE DATES
<b>RIPARIAN PERMIT APPLICATIONS</b>				
81-0089-1	CONSTRUCT A DOCK & COVERED BOAT SHEDS BASS RIVER L-2-A BURLINGTON & B-26 BASS RIVER TWP BASS RIVER TWP.	BASS RIVER ANCHORAGE ROUTE 9 NEW GREINA ,NJ 08224	JOHN M LENNON ENG 29 WILLIAM FEATHER DR VOORHEES ,NJ 08043	ACCEPTED WITH A REQUEST FOR ADDITIONAL INFO. 01/29/81 ADD. INFO. RECEIVED 04/27/81* ACCEPTED AS COMPLETE 04/27/81* BEGIN 90 DAY CALENDAR 04/27/81*
81-0109-1	CONSTRUCT A DOCK BRNEGAT B AY L-72 B-279 POINT PLEASA OCEAN NT POINT PLEASANT B	DRAYTON HENRY P 71 MCCASH RD UPPER MONTCLAIR ,NJ 07043	MORRIS & GLASGOW INC 1119 ARNOLD AVE POINT PLEASANT ,NJ 08742	ACCEPTED WITH A REQUEST FOR ADDITIONAL INFO. 02/05/81 ADD. INFO. RECEIVED 03/15/81* ACCEPTED AS COMPLETE 03/15/81* BEGIN 90 DAY CALENDAR 03/15/81* DECISION: APPROVED 04/30/81*
81-0129-1	REPLACE FLOAT & RAMP SANC TUARY BAY L-39-40 B-204-2 CAPE MAY TONE HARBOR STONE HARBOR BUR	LAUTH WILLIAM C 1205 GOLF RD CINNAMINSON ,NJ 08057	HAROLD ARENBERG INC RD1ROX94 ORBIT DR CAPE MAY CRT HOUSE,NJ 08210	ACCEPTED WITH A REQUEST FOR ADDITIONAL INFO. 02/24/81 ADD. INFO. RECEIVED 04/25/81* ACCEPTED AS COMPLETE 04/25/81* BEGIN 90 DAY CALENDAR 04/25/81*
81-0151-1	INSTALL DOCK & PILES SOUTH HARBOR L-11 B-2211 OCEAN CAPE MAY CITY OCEAN CITY	SHUGART BRUCE E 9 DOBSON RD EAST BRUNSWICK ,NJ 08816	APPLICANT	ACCEPTED WITH A REQUEST FOR ADDITIONAL INFO. 02/24/81 ADD. INFO. RECEIVED 04/10/81 ACCEPTED AS COMPLETE 04/10/81 BEGIN 90 DAY CALENDAR 04/10/81 DECISION: APPROVED 04/28/81*
81-0154-1	REPLACE BULKHEAD BARNGAT P AY L-3-9 B-69 BRICK TWP OCEAN BRICK TWP.	LIGHTHOUSE REALTY/WINTER PO BOX 229 MANTOLOKING ,NJ 08738	GEORGE W HENN 73 MANTOLOKING RD BRICK TOWN ,NJ 08723	ACCEPTED WITH A REQUEST FOR ADDITIONAL INFO. 03/03/81 ADD. INFO. RECEIVED 03/30/81 ACCEPTED AS COMPLETE 03/30/81 BEGIN 90 DAY CALENDAR 03/30/81 DECISION: APPROVED 04/28/81*
81-0159-1	CONSTRUCTION OF A BULKHEAD MILL CREEK L-38 B-147-66 OCEAN STAFFORD TWP STAFFORD TWP.	CALLA JOSEPH & JOSEPHIN S 6512 AVE T BROOKLYN ,NY 11234	WILCOX & GRAVATT INC PO BOX 756 FORKED RIVER ,NJ 08753	ACCEPTED WITH A REQUEST FOR ADDITIONAL INFO. 02/25/81 ADD. INFO. RECEIVED 04/06/81* ACCEPTED AS COMPLETE 04/06/81* BEGIN 90 DAY CALENDAR 04/06/81*

NEW JERSEY DEPARTMENT OF ENVIRONMENTAL PROTECTION BULLETIN  
CHANGES IN STATUS FOR PERIOD 04/25/81 TO 05/08/81

PAGE D- 5

DOCKET NO. PROJECT LOCATION	PROJECT DESCRIPTION	APPLICANT'S NAME/ADDRESS	FIRM'S NAME/ADDRESS	STATUS OF APPLICATION MILESTONE DATES
<b>RIPARIAN PERMIT APPLICATIONS</b>				
81-0178-1 CAPE MAY AVALON BORO	CONSTRUCT A DOCK & PILES WA TERWAY L-102 B-22.05 AVALON BOROUGH	NEWSOME DAVID L 1196 EVANSBURG RD COLLEGEVILLE PA 19426	ALVIN C HERMAN 7 MECHANIC ST PO BOX 373 CAPE MAY CRT HOUSE,NJ 08210	ACCEPTED WITH A REQUEST FOR ADDITIONAL INFO. 03/10/81 ADD. INFO. RECEIVED 04/15/81* ACCEPTED AS COMPLETE 04/15/81* BEGIN 90 DAY CALENDAR 04/15/81* DECISION: APPROVED 04/15/81*
81-0179-1 OCEAN STAFFORD TWP.	PERFORM DREDGING L-11 B-61 LAGOON STAFFORD TWP	GALLAGHER JAMES 16 MURIAL DR MANAHAWAKIN NJ 08050	APPLICANT	ACCEPTED WITH A REQUEST FOR ADDITIONAL INFO. 03/05/81 ADD. INFO. RECEIVED 03/18/81* ACCEPTED AS COMPLETE 03/18/81* BEGIN 90 DAY CALENDAR 03/18/81* DECISION: APPROVED 04/30/81*
81-0184-1 ATLANTIC MARGATE CITY	CONSTRUCT BULKHEAD SUNSET CANAL L-28 B-619 MARGATE REMARKS: FEE \$62 RECEIVED	KOSSAY ROBERT 423 FRANKLIN AVE BEVERLY NJ 08010	WILLARD INC 9 CHESTNUT ST SOMERS POINT NJ 08244	ACCEPTED WITH A REQUEST FOR ADDITIONAL INFO. 03/10/81 ADD. INFO. RECEIVED 04/20/81* ACCEPTED AS COMPLETE 04/20/81* BEGIN 90 DAY CALENDAR 04/20/81* DECISION: APPROVED 04/28/81*
81-0190-1 CAPE MAY OCEAN CITY	REPAIR STRUCTURE REPLACE PI LING SNUG HARBOR L-18 B-811 OCEAN CITY	EWAN JOHN 2305 ROSEMORE AVE GLENSIDE PA 19038	APPLICANT	ACCEPTED WITH A REQUEST FOR ADDITIONAL INFO. 03/24/81* ACCEPTED AS COMPLETE 03/24/81* BEGIN 90 DAY CALENDAR 03/24/81* DECISION: APPROVED 04/10/81*
81-0201-1 ATLANTIC ATLANTIC CITY	REPLACE PILINGS CLAM CREEK 1-174 B-G-19 ATLANTIC CITY	ERRICKSON DAVID 421 CARSON AVE ATLANTIC CITY NJ 08401	ROBERT J CATALANO C ASSOC 1545 ATLANTIC AVE ATLANTIC CITY NJ 08401	ACCEPTED WITH A REQUEST FOR ADDITIONAL INFO. 03/16/81 ADD. INFO. RECEIVED 04/07/81 ACCEPTED AS COMPLETE 04/07/81 BEGIN 90 DAY CALENDAR 04/07/81 DECISION: APPROVED 04/28/81*
81-0208-1 OCEAN SEASIDE PARK SEASIDE PARK BOR	REPLACE BULKHEAD NORTH HARB OR LAGOON L-39-40 B-65 SEASIDE PARK	REDY RICHARD 245 00 ST SEASIDE PARK NJ 08752	BIRD CONSTRUCTION INC 635 RT 9 PO BOX 308 BAYVILLE NJ 08721	ACCEPTED WITH A REQUEST FOR ADDITIONAL INFO. 03/17/81 ADD. INFO. RECEIVED 04/23/81* ACCEPTED AS COMPLETE 04/23/81* BEGIN 90 DAY CALENDAR 04/23/81*

DOCKET NO.	PROJECT DESCRIPTION PROJECT LOCATION	APPLICANT'S NAME/ADDRESS	FIRM'S NAME/ADDRESS	STATUS OF APPLICATION MILESTONE DATES
<b>RIPARIAN PERMIT APPLICATIONS</b>				
81-0214-1	REPLACE BULKHEAD SUNSET LAK E VAR LTS B-1 WEST WILDWOOD CAPE MAY WEST WILDWOOD BD	BROADBENT JOHN 500 GLEN AVE WEST WILDWOOD NJ 08260	LYNN M ROBINSON 310 MAIN ST TOMS RIVER NJ 08753	ACCEPTED WITH A REQUEST FOR ADDITIONAL INFO. 03/19/81 ADD. INFO. RECEIVED 05/01/81* ACCEPTED AS COMPLETE 05/01/81* BEGIN 90 DAY CALENDAR 05/01/81*
81-0215-1	MAINTENANCE DREDGING BEACH THOROFARE VAR LTS B-112 CAPE MAY OCEAN CITY	CAPIZZI SAMUEL J 801 ATLANTIC AVE OCEAN CITY NJ 08226	GERALD E SPEITEL BARGAINTOWN R D 1 BARGAINTOWN NJ 08221	ACCEPTED WITH A REQUEST FOR ADDITIONAL INFO. 03/19/81 ADD. INFO. RECEIVED 04/15/81* ACCEPTED AS COMPLETE 04/15/81* BEGIN 90 DAY CALENDAR 04/15/81*
81-0220-1	CONSTRUCT A DOCK LAGOON L-3 -4 B-211 D15 BRICKTOWN OCEAN BRICK TWP.	SCHOELLER JANIS & DAVID 290 OSBORNE AVE BAY HEAD NJ 08742	WILLIAM W THOMPSEN 37 SHREWSBURY DR MONMOUTH BEACH NJ 07750	ACCEPTED WITH A REQUEST FOR ADDITIONAL INFO. 03/23/81 ADD. INFO. RECEIVED 04/20/81* ACCEPTED AS COMPLETE 04/20/81* BEGIN 90 DAY CALENDAR 04/20/81*
81-0223-1	MAINTAIN STRUCTURES NANTUXE NT CREEK L-7-8-9 B-1-B MONE CUMBERLAND DOWNE TWP.	PORT NORRIS OYSTER CO INC PORT NORRIS PORT NORRIS NJ 08349	ROBERT H TOMMAS SR 211 BUCK ST MILLVILLE NJ 08332	ACCEPTED WITH A REQUEST FOR ADDITIONAL INFO. 04/03/81*
	REMARKS: REQUIRES GRANT LEASE OR LICENSE			
81-0230-1	MAINTAIN OVERHEAD TRANSMISS ION LINES SCOTCH BONNET L-3 -10 B-132-01-135-02 MIDDLE CAPE MAY MIDDLE TWP.	ATLANTIC CITY ELECTRIC CO 1600 PACIFIC AVE ATLANTIC CITY NJ 08401	APPLICANT	ACCEPTED WITH A REQUEST FOR ADDITIONAL INFO. 03/25/81*
	REMARKS: REQUIRES GRANT LEASE OR LICENSE			
81-0241-1	MAINTENANCE DREDGING SEA KI NG LAGOON OFF ST GEORGES TH OROFARE L-1 B-SE BRIGANTINE ATLANTIC BRIGANTINE CITY	BRIGANTINE COVE ASSOC 462 SEASHORE RD CAPE MAY NJ 08204	EDWARD ALTMAN PO BOX 135 545 TILTON RD NORTHFIELD NJ 08225	ACCEPTED WITH A REQUEST FOR ADDITIONAL INFO. 04/02/81*
81-0242-1	RELOCUTE DOCK INSTALL PILIN G BAYSHORE LAGOON L-29 B-12 OO MARGATE ATLANTIC MARGATE CITY	MICALE ANTHONY J 1121 WINDING DR PO BOX 26 CHERRY HILL NJ 08034	PENNONI ASSOC INC 555 NEW JERSEY AVE ABSECON NJ 08201	ACCEPTED WITH A REQUEST FOR ADDITIONAL INFO. 04/03/81 ADD. INFO. RECEIVED 05/01/81* ACCEPTED AS COMPLETE 05/01/81* BEGIN 90 DAY CALENDAR 05/01/81*

NEW JERSEY DEPARTMENT OF ENVIRONMENTAL PROTECTION BULLETIN  
 CHANGES IN STATUS FOR PERIOD 04/25/81 TO 05/08/81

PAGE D- 7

DOCKET NO. PROJECT LOCATION	PROJECT DESCRIPTION	APPLICANT'S NAME/ADDRESS	FIRM'S NAME/ADDRESS	STATUS OF APPLICATION MILESTONE DATES
<b>RIPARIAN PERMIT APPLICATIONS</b>				
81-0247-1 OCEAN BRICK TWP.	CONSTRUCT DOCKS LUNG ISLAND COVE L-22 B-43-H BRICK TOWN	MARROCCO PETER J & ANGELA 325 COVE DR MANTOLOKING S BRICK TOWN NJ 08738	GEORGE W HENN INC 73 MANTOLOKING RD BRICK TOWN NJ 08723	ACCEPTED WITH A REQUEST FOR ADDITIONAL INFO. 04/16/81
	REMARKS: REQUIRES GRANT LEASE OR LICENSE			
81-0252-1 OCEAN BRICK TWP.	CONSTRUCT RIP-RAP HAVENS CO VE OF BARNEGAT BAY L-10-14- A B-211-C-13	HAVENS COVE INC 254 BRICK BLVD PO BOX 606 BRICK TOWNSHIP NJ 08723	ALFRED L MESSANO & ASSOC 12 ROBBINS PARKWAY TOMS RIVER NJ 08753	ACCEPTED WITH A REQUEST FOR ADDITIONAL INFO. 04/21/81
	REMARKS: REQUIRES GRANT LEASE OR LICENSE			
81-0253-1 CAMDEN CAMDEN CITY	LEGALIZE FILL NEWTON CREEK L-16 B-2084 CAMDEN	ROYDEN INC 2643 MT EPHRAIM AVE CAMDEN NJ 08104	MITCHELL J RABIL ESQ 2201 RT 38 SUITE 800 CHERRY HILL NJ 08034	ACCEPTED WITH A REQUEST FOR ADDITIONAL INFO. 04/06/81
81-0254-1 MIDDLESEX WOODBRIIDGE TWP.	REPAIR DOCK REPLACE PILINGS RARITAN RIVER WOODBRIIDGE	RESERVE TERMINAL CORP 1 HESS PLAZA PO BOX 511 WOODBRIIDGE NJ 07095	WILLIAM R SCHMIDT 1 HESS PLAZA WOODBRIIDGE NJ 07095	ACCEPTED WITH A REQUEST FOR ADDITIONAL INFO. 04/06/81
81-0255-1 OCEAN STAFFORD TWP.	CONSTRUCT BULKHEAD & FILL MILL CREEK STAFFORD TWP	CALA JOSEPH 6412 AVE T BROOKLYN NY 11234	WILCOX & GRAVATT INC RT 9 & MURRAY GROVE LANE FORKED RIVER NJ 08731	ACCEPTED WITH A REQUEST FOR ADDITIONAL INFO. 04/06/81 DECISION: WITHDRAWN 04/29/81
	REMARKS: DUPLICATE TO 81-0159			
81-0256-1 OCEAN DOVER TWP.	CONSTRUCT BULKHEAD & DOCK LAGOON L-278 B-1108-56 DOVE R TWP	SPAGNA ALFRED 713 PHOEBE ST TOMS RIVER NJ 08753	ALFRED L MESSANO 12 ROBBINS PARKWAY TOMS RIVER NJ 08753	ACCEPTED WITH A REQUEST FOR ADDITIONAL INFO. 04/07/81
81-0257-1 CAPE MAY OCEAN CITY	MAINTAIN EXISTING STRUCTURE S BAY BERRY COVE L-37 B-311 O OCEAN CITY	JOHNSON MARION R 124 WATERWAY RD OCEAN CITY NJ 08226	JOHN R WALKER PE & LS 801 ASBURY AVE OCEAN CITY NJ 08226	ACCEPTED WITH A REQUEST FOR ADDITIONAL INFO. 04/09/81
	REMARKS: REQUIRES GRANT LEASE OR LICENSE			
81-0258-1 GLUCESTER NATIONAL PARK BD	REPLACE DOCK WOODBURY CREEK VAR LTS B-109 NATIONAL PARK	BRUCE RONALD 78 LYNN DR WOODBURY NJ 08096	KENNETH J HENRY NO ADDRESS WOODBURY NJ 08096	ACCEPTED WITH A REQUEST FOR ADDITIONAL INFO. 04/09/81
	REMARKS: REQUIRES GRANT LEASE OR LICENSE			

DOCKET NO. PROJECT LOCATION	PROJECT DESCRIPTION	APPLICANT'S NAME/ADDRESS	FIRM'S NAME/ADDRESS	STATUS OF APPLICATION MILESTONE DATES
<b>RIPARIAN PERMIT APPLICATIONS</b>				
R1-0259-1 CAPE MAY MIDDLE TWP.	REPLACE PIER & PILES CANAL MIDDLE TWP L-213-214-215 B- 313 MIDDLE TWP	MANAREST DANTE 784 STONE HARBOR BLVD CAPE MAY CRT HOUSE,NJ 08210	ALVIN C HERMAN 7 MECHANIC ST PO BOX 373 CAPE MAY CRT HOUSE,NJ 08210	ACCEPTED WITH A REQUEST FOR ADDITIONAL INFO. 04/09/81*
R1-0260-1 OCEAN EAGLESWOOD TWP.	CONSTRUCTION OF DOCK LITTLE EGG HARBOR BAY L-9 & 9R B-4 EAGLESWOOD TWP.	WISEHEART SHERMAN 580 DOCK RD WEST CREEK ,NJ 08092	NELKE CONSTANTINE & ASSOC 141 EAST MAIN ST TUCKERTON ,NJ 08087	ACCEPTED WITH A REQUEST FOR ADDITIONAL INFO. 04/09/81* ADD. INFO. RECEIVED 05/04/81* ACCEPTED AS COMPLETE 05/04/81* BEGIN 90 DAY CALENDAR 05/04/81*
R1-0261-1 BURLINGTON DELTRAN TWP.	INSTALL ADDITIONS TO SEWAGE TREATMENT PLANT DELTRAN HARB OR L-4B B-1 DELTRAN DELTRAN TWP.	DELTRAN SEWERAGE AUTHORITY CHESTER AVE MUNICIPAL BLV DELTRAN TOWNSHIP ,NJ 08075	RICHARD A ALAIMO PE 200 HIGH ST MOUNT HOLLY ,NJ 08060	ACCEPTED WITH A REQUEST FOR ADDITIONAL INFO. 04/09/81*
R1-0262-1 OCEAN SHIP BOTTOM BORO	REPLACE BULKHEAD MANAHAWKIN BAY L-13 B-9 SHIP BOTTOM	GRIECO MARY 233 OLD SHORT HILLS RD SHORT HILLS ,NJ 07078	APPLICANT	ACCEPTED WITH A REQUEST FOR ADDITIONAL INFO. 04/09/81*
R1-0263-1 MONMOUTH HIGHLANDS BORO	REPLACE PIER & PILINGS & DR EDGE SANDY HOOK BAY L-27 B- 100 HIGHLANDS	CONNER'S HOTEL INC 101 SHORE DR HIGHLANDS ,NJ 07732	WILLIAM E COYLE L S 95 FIRST AVE ATLANTIC HIGHLANDS,NJ 07732	ACCEPTED WITH A REQUEST FOR ADDITIONAL INFO. 04/10/81*
R1-0264-1 BERGEN LITTLE FERRY BJR	MAINTAIN EXISTING STRUCTURE RISER DITCH L-24 B-105 LITTLE FERRY BORO	LO IACONO VICENT S & FRAN 4 BIRCH ST LITTLE FERRY ,NJ 07643	FRANK W KOESTNER PO BOX 514 HACKENSACK ,NJ 07602	ACCEPTED WITH A REQUEST FOR ADDITIONAL INFO. 04/10/81*
	REMARKS: REQUIRES GRANT LEASE OR LICENSE			
R1-0265-1 OCEAN HARVEY CEDARS BO	CONSTRUCT A BULKHEAD KINSEY COVE L-1 B-66 HARVEY CEDA	BARNEGAT BAY DREDGING CO 8101 BAY TERRACE HARVEY CEDARS ,NJ 08008	HORN TYSON & ASSOC INC 2207 LONG BEACH BLVD SPRAY BEACH ,NJ 08008	ACCEPTED WITH A REQUEST FOR ADDITIONAL INFO. 04/13/81*
R1-0266-1 OCEAN STAFFORD TWP.	REPAIR BULKHEAD REPLACE PIL INGS LAGOON L-541 B-147-43 STAFFORD TWP.	ANTHONY MILAZZO 640 PAXSON AVE MERCERVILLE ,NJ 08619	ALBERT J NELKE PE LS 3408 LONG BEACH BLVD BRANT BEACH ,NJ 08008	ACCEPTED WITH A REQUEST FOR ADDITIONAL INFO. 04/13/81* ADD. INFO. RECEIVED 05/04/81* ACCEPTED AS COMPLETE 05/04/81* BEGIN 90 DAY CALENDAR 05/04/81*

NEW JERSEY DEPARTMENT OF ENVIRONMENTAL PROTECTION BULLETIN  
 CHANGES IN STATUS FOR PERIOD 04/25/81 TO 05/08/81

PAGE D- 9

DOCKET NO. PROJECT LOCATION	PROJECT DESCRIPTION	APPLICANT'S NAME/ADDRESS	FIRM'S NAME/ADDRESS	STATUS OF APPLICATION MILESTONE DATES
<b>RIPARIAN PERMIT APPLICATIONS</b>				
R1-0267-1 OCEAN BEACH HAVEN BORO	REPLACE BULKHEAD L-15 B-D-2 2 LITTLE EGG HARBOR BAY LONG BEACH TWP	GROELLER ELIZABETH D 44 PASCHALL RD WILMINGTON DE 19803	THOMAS HARVEY 111 W DELAWARE AVE BEACH HAVEN NJ 08008	ACCEPTED WITH A REQUEST FOR ADDITIONAL INFO. 04/13/81*
R1-0268-1 CAPE MAY OCEAN-CITY	LEGALIZE EXISTING STRUCTURE S BAYBERRY COVE L-33 B-3110 OCEAN CITY REMARKS: REQUIRES GRANT LEASE OR LICENSE	GRAHAM LOVETTA J 1209 CRANE DR CHERRY HILL NJ 08003	JOHN R WALKER PE & LS 801 ASBURY AVE OCEAN CITY NJ 08226	ACCEPTED WITH A REQUEST FOR ADDITIONAL INFO. 04/13/81*
R1-0269-1 OCEAN BRICK TWP.	CONSTRUCT A BULKHEAD LAGOON L-23 B-211C-6 BRICKTOWN	SOCIO RAFFAELE 1382 SIOUX RD NORTH BRUNSWICK NJ 08902	J S PETERSON & CO INC 132 A KETTLE CREEK RD TOMS RIVER NJ 08902	ACCEPTED WITH A REQUEST FOR ADDITIONAL INFO. 04/14/81*
R1-0270-1 CAPE MAY AVALON BORO	CONSTRUCT A DOCK 3RD AVE WA TERWAY L-11 B-64.06 AVALON	CARTER TIMOTHY N BOX 17 B C WEBB RD R D CHAODS FORD PA 19317	APPLICANT	ACCEPTED WITH A REQUEST FOR ADDITIONAL INFO. 04/14/81*
R1-0271-1 MONMOUTH OCEANPORT BORO	CONSTRUCT A BULKHEAD BRANCH PORT CREEK VAR LTS B-68 OCEANPORT	FLORENCE ADAMS 489 SYCAMORE AVE SHERWSBURY NY 07701	WILLIAM W STROBY ASSOC IN 157 BROAD ST RED BANK NJ 07701	ACCEPTED WITH A REQUEST FOR ADDITIONAL INFO. 04/15/81*
R1-0272-1 OCEAN DOVER TWP.	CONSTRUCT BULKHEAD & FILL LAGOON L-8 B-1108-19 DOVER TWP	SPAGNA ALFREDO 713 PHOEBE ST TOMS RIVER NJ 08753	ALFRED L MESSANO PE & LS 12 ROBBINS PARKWAY TOMS RIVER NJ 08753	ACCEPTED WITH A REQUEST FOR ADDITIONAL INFO. 04/16/81*
R1-0273-1 OCEAN TUCKERTON BORO	CONSTRUCT A BULKHEAD LAGOON L-37 B-111 TUCKERTON BEACH	JUDD EDWARD A 253 FULTON ST NEW MILFORD NJ 07646	APPLICANT	ACCEPTED WITH A REQUEST FOR ADDITIONAL INFO. 04/16/81*
R1-0274-1 BURLINGTON BURLINGTON CITY	PERFORM MOSQUITO CONTROL WA DING RIVER BASS RIVER TWP & WASHINGTON TWP	BURLINGTON CO MOSQUITO CO 49 RANCOCAS RD MOUNT HOLLY NJ 08060	APPLICANT	ACCEPTED WITH A REQUEST FOR ADDITIONAL INFO. 04/16/81*

DOCKET NO.	PROJECT DESCRIPTION PROJECT LOCATION	APPLICANT'S NAME/ADDRESS	FIRM'S NAME/ADDRESS	STATUS OF APPLICATION MILESTONE DATES
<b>RIPARIAN PERMIT APPLICATIONS</b>				
RI-0275-1	REPLACE BULKHEAD INWARD THO POFARE L-29 B-1946 -3 CHAD OCEAN CK BEACH ISLAND DOVER TWP.	KLINEFILTER MARIA 1399 CHAPEL HILL RD MOUNTAINSIDE ,NJ 07092	GEORGE W HENN PE LS 73 MANTOLOKING RD BRICK TOWN ,NJ 08723	ACCEPTED WITH A REQUEST FOR ADDITIONAL INFO. 04/16/81*
RI-0276-1	CONSTRUCT BULKHEAD INWARD THOROFARE CHADWICK BEACH L- OCEAN 61 B-1946-1 DOVER TWP.	JURANICH THOMAS G 41 CHARLES ST CLIFTON ,NJ 07092	GEORGE W HENN PE LS 73 MANTOLOKING RD BRICK TOWN ,NJ 08723	ACCEPTED WITH A REQUEST FOR ADDITIONAL INFO. 04/16/81*
RI-0277-1	MAINTAIN EXISTING STRUCTURE S MULLICA RIVER L-3 B-550 ATLANTIC MULLICA TWP MULLICA TWP. REMARKS: REQUIRES GRANT LEASE OR LICENSE	SHEPPARD EARL R 125 E PARK AVE MAPLE SHADE ,NJ 08052	ADAMS-REHMANN & HEGGAN AS 850 WHITE HORSE PIKE HAMMONTON ,NJ 08037	ACCEPTED WITH A REQUEST FOR ADDITIONAL INFO. 04/16/81*
RI-0278-1	REPAIR BRIDGE BIG TIMBER CR FEK BROOKLAWN & WESTVILLE CAMDEN BROOKLAWN BORO	NJ D OF TRANSPORTATION 1035 PARKWAY AVE EWING TOWNSHIP ,NJ 08625	APPLICANT	ACCEPTED WITH A REQUEST FOR ADDITIONAL INFO. 04/16/81*
RI-0279-1	CONSTRUCT A DOCK SHARK RIVE R L-8 B-52 AVON BY THE SEA MONMOUTH BORO AVON-BY-THE-SEA-	GIORDANO RALPH 100 2ND AVE AVON BY THE SEA ,NJ 07717	WILLIAM W STROBY ASSOC IN 157 BROAD ST RED BANK ,NJ 07701	ACCEPTED WITH A REQUEST FOR ADDITIONAL INFO. 04/20/81*
RI-0280-1	CONSTRUCT A BULKHEAD MILL C REEK L-39 B-147-66 STAFFORD OCEAN TWP STAFFORD TWP.	PEZZIMENTZFRANK & MARIE P 700 COLES ST MAYWOOD ,NJ 07607	WILCOX & GRAVATT INC PO BOX 756 FORKED RIVER LACEY ,NJ 08731	ACCEPTED WITH A REQUEST FOR ADDITIONAL INFO. 04/21/81*
RI-0281-1	CONSTRUCT A WAREHOUSE L-14A T016 B-366 EDISON MIDDLESEX EDISON TWP.	STAUFFER CHEMICAL MEADOWS RD EDISON ,NJ 08807	WILLIAM FREEMAN 204 FISHER AVE MIDDLESEX ,NJ 08846	ACCEPTED WITH A REQUEST FOR ADDITIONAL INFO. 04/23/81*
RI-0282-1	LEGALIZE FILL NEWTON CREEK CAMDEN CAMDEN CAMDEN CITY	ROBERT BROAD CASTING CO 2775 MT EPHRAIM AVE CAMDEN ,NJ 08104	ALBERT C HEWITT PO BOX 373 HADDONFIELD ,NJ 08033	ACCEPTED WITH A REQUEST FOR ADDITIONAL INFO. 04/23/81*

NEW JERSEY DEPARTMENT OF ENVIRONMENTAL PROTECTION BULLETIN  
 CHANGES IN STATUS FOR PERIOD 04/25/81 TO 05/08/81

PAGE 0-11

DOCKFT NO. PROJECT LOCATION	PROJECT DESCRIPTION	APPLICANT'S NAME/ADDRESS	FIRM'S NAME/ADDRESS	STATUS OF APPLICATION MILESTONE DATES
<b>RIPARIAN PERMIT APPLICATIONS</b>				
81-0283-1 CUMBERLAND DOWNE TWP.	MAINTENANCE DREDGING DELAWA RE BAY CUMBERLAND CO	GREAT LAKES DREDGE & DOCK 990 RAHWAY AVE UNION NJ 07083	S T HUDSON ENGINEERS INC 1339 CHESTNUT ST PHILADELPHIA PA 19107	ACCEPTED WITH A REQUEST FOR ADDITIONAL INFO. 04/23/81*
	REMARKS: REQUIRES GRANT LEASE OR LICENSE			
81-0284-1 BERGEN EDGEWATER BORO	MAINTENANCE DREDGING HUDSON RIVER EDGEWATER	HILLS BROS COFFEE INC 535 RIVER RD EDGEWATER NJ 07020	APPLICANT	ACCEPTED WITH A REQUEST FOR ADDITIONAL INFO. 04/23/81*
81-0285-1 CAPE MAY AVALON BORO	CONSTRUCT PIER & PILES WATE RWAY L-1.02 B-64.05 AVALON	SEDLACEK JOHN J & VIVIAN 9 MEETING HOUSE SQUARE DANVERS MS 01923	ALVIN C HERMAN ASSOC 7 MECHANIC ST PO BOX 373 CAPE MAY CRT HOUSE NJ 08210	ACCEPTED WITH A REQUEST FOR ADDITIONAL INFO. 04/23/81*
81-0286-1 OCEAN TUCKERTON BORO	REPLACE BULKHEAD LAGOON L-2 B B-35 TUCKERTON	EGGLESTON JOHN & SUANNE 218 E LAKE BLVD MARLTON NJ 08053	ALBERT J NELDEKE 141 EAST MAIN ST TUCKERTON NJ 08087	ACCEPTED WITH A REQUEST FOR ADDITIONAL INFO. 04/24/81*
81-0287-1 BERGEN EDGEWATER BORO	CONSTRUCT TOWNHOUSES L-11. 11.18B B-66.59 EDGWATER	SARUBBI ANGELO 309 RIVER RD EDGEWATER NJ 07020	HOWARD L BOSWELL 78-80 MT VERNON ST RIDGEFIELD PARK NJ 07018	ACCEPTED WITH A REQUEST FOR ADDITIONAL INFO. 04/23/81*
81-0290-1 UNION LINDEN CITY	MAINTENANCE DREDGING ARTHUR KILL LINDEN	BP OIL INC 202 RT 73 & GREENTREE RD MARLTON NJ 08053	ROBERT V SHELLY PE 1229 CHESTNUT ST PHILADELPHIA PA 19107	ACCEPTED WITH A REQUEST FOR ADDITIONAL INFO. 04/22/81*
81-0291-1 CAPE MAY STONE HARBOR BOR	REPLACE BULKHEAD NORTH BASI N VAR LTS B-81.4 STONE HARB	DIANCO J DAVID 3206 DUNE DR AVALON NJ 08202	ALVIN C HERMAN ASSOC 7 MECHANIC ST CAPE MAY CRT HOUSE NJ 08210	ACCEPTED WITH A REQUEST FOR ADDITIONAL INFO. 04/23/81*

**STREAM ENCROACHMENT PERMIT APPLICATIONS**

80-9513-3 BERGEN CARLSTADT BORO	CONSTRUCTION OF AN EARTHEN BERM WITH RIP RAP	BERGEN COUNTY ADMINISTRATIVE BUILDING HACKENSACK NJ 07601	MCCLANE & MCCLAUE 600 GORGE ROAD CLIFFSIDE PARK NJ 07010	ACCEPTED AS COMPLETE 12/01/80 BEGIN 90 DAY CALENDAR 12/01/80 PROJECT REVIEW COMPLETE 03/17/81* DECISION-EXTENSION 02/25/81* DECISION: APPROVED 03/17/81*
---------------------------------------	---	--	---	--

DOCKET NO. PROJECT LOCATION	PROJECT DESCRIPTION	APPLICANT'S NAME/ADDRESS	FIRM'S NAME/ADDRESS	STATUS OF APPLICATION MILESTONE DATES
<b>STREAM ENCROACHMENT PERMIT APPLICATIONS</b>				
81-0607-3 BERGEN WASHINGTON TWP.	STREAM CLEANING	WASHINGTON TWP 350 HUDSON AVE WASHINGTON NJ 07675	AZZOLINA ENGINEERING CO 30 MADISON AVE PARAMUS NJ 07652	ACCEPTED AS COMPLETE BEGIN 90 DAY CALENDAR 04/29/81* 04/29/81*
81-9560-3 HUNTERDON LAMBERTVILLE CIT	CONSTRUCTION OF A BOAT RAMP ALONG THE DELAWARE RIVER	LAMBERTVILLE SEWAGE AUTH 28 CORYELL STREET LAMBERTVILLE NJ 08530	GLACE & GLACE 2771 PAXTON ST HARRISBURG NJ 17111	ACCEPTED AS COMPLETE BEGIN 90 DAY CALENDAR DECISION-EXTENSION DECISION: APPROVED 01/08/81* 01/08/81* 04/07/81* 05/07/81*
81-9583-3 MORRIS PEJUANNOCK TWP.	AN ENCROACHMENT LINE AND SEWER CROSSING	VINCENZO ANELLO 340 ROUTE 23 POMPTON PLAINS NJ 07444	JOHN V DEGRACE & ASSOCIAT 1330 HAMBURG TPK WAYNE NJ 07470	ACCEPTED AS COMPLETE BEGIN 90 DAY CALENDAR PROJECT REVIEW COMPLETE DECISION: APPROVED 01/26/81 01/26/81 04/27/81* 04/27/81*
81-9591-3 UNION GARWOOD BORO	CONSTRUCTION OF GABION WALL AND RIP RAP	BOROUGH OF GARWOOD SOUTH AVE AND CENTER ST GARWOOD NJ 07027	LUSTER & GUARRIELLO ASSO 2279 SOUTH AVE WESTFIELD NJ 07090	ACCEPTED AS COMPLETE BEGIN 90 DAY CALENDAR DECISION: APPROVED 02/05/81 02/05/81 04/28/81*
81-9592-3 BERGEN HACKENSACK CITY	ESTABLISHMENT OF AN ENCR LINE	LAURJO CONSTRUCTION CO 421A HUDSON STREET HACKENSACK NJ 07601	ANDREW MARSHALL JR 66 SO MAPLE AVE PO BOX 46 RIDGEWOOD NJ 97451	ACCEPTED AS COMPLETE BEGIN 90 DAY CALENDAR DECISION: APPROVED 02/05/81 02/05/81 04/28/81*
81-9598-3 MIDDLESEX WOODBIDGE TWP.	ESTABLISHMENT OF AN ENCR LINE AND PLACEMENT OF FIL	COLUMBIA MANOR INC PO BOX 457 WOODBIDGE NJ 07095	COUETTE ASSOCIATES INC 29 US HIGHWAY 46 ROCKAWAY NJ 07866	ACCEPTED AS COMPLETE BEGIN 90 DAY CALENDAR DECISION: APPROVED 02/19/81 02/19/81 04/28/81*
81-9607-3 WARREN HARMONY TWP.	CONSTRUCTION OF A BRIDGE	EDWARD , M O'NEIL III 714 4TH ST BELVEDIERE NJ 07825	ALAN SAFFNER C/O TECHTUNI PO BOX 818 SOMERVILLE NJ 08876	ACCEPTED AS COMPLETE BEGIN 90 DAY CALENDAR 03/02/81* 03/02/81*
81-9619-3 MORRIS ROCKAWAY TWP.	ESTABLISHMENT OF AN ENCR L INE AND CONSTRUCTION OF HEADWALLS	R B B CORP PO BOX 335 EAST HANOVER NJ 07936	BOMAR BUILDERS, INC 201 LOWER NOTCH RD LITTLE FALLS NJ 07424	ACCEPTED AS COMPLETE BEGIN 90 DAY CALENDAR PROJECT REVIEW COMPLETE DECISION: APPROVED 03/10/81* 03/10/81* 04/28/81* 04/28/81*

NEW JERSEY DEPARTMENT OF ENVIRONMENTAL PROTECTION BULLETIN  
CHANGES IN STATUS FOR PERIOD 04/25/81 TO 05/08/81

PAGE 0-13

DOCKET NO. PROJECT LOCATION	PROJECT DESCRIPTION	APPLICANT'S NAME/ADDRESS	FIRM'S NAME/ADDRESS	STATUS OF APPLICATION MILESTONE DATES	
<b>STREAM ENCRUACHMENT PERMIT APPLICATIONS</b>					
R1-9624-3 PASSAIC WAYNE TWP.	CONSTRUCTION OF RIP RIP AND ESTABLISHMENT OF AN ENCR LINE	THE RUNNYMEDE ASSOC 67 RUNNYMEDE DRIVE WAYNE ,NJ 07470	SOILS ENGINEERING SERVICE 1470 ROUTE 23 WAYNE ,NJ 07470	ACCEPTED AS COMPLETE BEGIN 90 DAY CALFNDR ADD. INFO. REQUESTED	03/10/81* 03/10/81* 04/07/81*
R1-9628-3 BERGEN PIDGEFIELD BORO	CONSTRUCTION OF A PIER	BERHEN COUNTY - UA MEHRHOF ROAD LITTLE FERRY ,NJ 07643	CLINTON BOGERT ASSOC 2125 CENTER AVE FORT LEE ,NJ 07024	ACCEPTED AS COMPLETE BEGIN 90 DAY CALENDAR DECISION: APPROVED	03/16/81 03/16/81 04/28/81*
R1-9632-3 MONMOUTH WALL TWP.	CONSTRUCTION OF BUILDINGS	JOSEPH DOLAN 5 WALNUT DRIVE SPRING LAKE HGTHS ,NJ 07762	ALFRED L MESSANO AND ASSO 12 ROBBINS PARKWAY TOMS RIVER ,NJ 08753	ACCEPTED AS COMPLETE BEGIN 90 DAY CALENDAR PROJECT REVIEW COMPLETE DECISION: APPROVED	03/16/81 03/16/81 03/19/81 04/28/81*
R1-9643-3 MIDDLESEX OLD BRIDGE TWP	CONSTRUCTION OF A DIKE ANDD REDGING	VIKING INC STATE HIGHWAY RT 35 LAURENCE HARBOR ,NJ 08879	FREDERICK H KURTZ INC 777 WASHINGTON ROAD PARLIN ,NJ 08859	ACCEPTED AS COMPLETE BEGIN 90 DAY CALENDAR DECISION: APPROVED	03/23/81 03/23/81 04/28/81*
R1-9646-3 HUNTERDON MILFORD BORO	CONSTRUCTION OF A CONTAIN-M ENT REVETMENT	JERSEY CENTRAL POWER & LI MADISON AVE MORRISTOWN ,NJ 07960	JERSEY CENTRAL POWER&LIGH MADISON AVE MORRISTOWN ,NJ 07960	ACCEPTED AS COMPLETE BEGIN 90 DAY CALENDAR PROJECT REVIEW COMPLETE DECISION: APPROVED	03/23/81 03/23/81 03/26/81 05/07/81*
R1-9649-3 MIDDLESEX OLD BRIDGE TWP	CONSTRUCTION OF A HEADWALL	DONALD KIKEN STATE HIGHWAY NO 34 ABERDEEN ,NJ 07747	ENGINEERI NG SURVEY & PLA BOX 258 US HIGHWAY RT 9 HOWELL ,NJ 07731	ACCEPTED AS COMPLETE BEGIN 90 DAY CALENDAR DECISION: APPROVED	03/23/81 03/23/81 04/27/81*
R1-9652-3 MIDDLESEX NORTH BRUNSWICK	CONSTRUCTION OF HEADWALL AN D ESTABLISHMENT OF ENCR LINE	SANTO LABARBERA 1609 GEORGES ROAD NORTH BRUNSWICK ,NJ 08902	EUGENE I VOELKER 102 CHESTER CIRCLE NEW BRUNSWICK ,NJ 08901	ACCEPTED AS COMPLETE BEGIN 90 DAY CALENDAR PROJECT REVIEW COMPLETE DECISION: APPROVED	03/26/81 03/26/81 04/27/81* 04/27/81*
R1-9653-3 BERGEN HARRINGTON PARK	PLACEMENT OF RIP RAPPING	BOROUGH HARRINGTON PARK 85 HARRIOT AVENUE HARRINGTON PARK ,NJ 07640	RAIMONDI ASSOCIATES PA 381 BROADWAY WESTWOOD ,NJ 07675	ACCEPTED AS COMPLETE BEGIN 90 DAY CALENDAR DECISION: APPROVED	03/24/81 03/24/81 04/28/81*

DOCKET NO.	PROJECT DESCRIPTION PROJECT LOCATION	APPLICANT'S NAME/ADDRESS	FIRM'S NAME/ADDRESS	STATUS OF APPLICATION MILESTONE DATES	
<b>STREAM ENCROACHMENT PERMIT APPLICATIONS</b>					
81-9658-3	CONSTRUCTION OF SEWER LINES MIDDLESEX SPOTSWOOD BORO	KIMBERLY CLARK CORP MAIN STREET SPOTSWOOD NJ 08884	KUPPER ASSOCIATES 15 STELTON ROAD PISCATAWAY NJ 08854	ACCEPTED AS COMPLETE BEGIN 90 DAY CALENDAR DECISION: APPROVED	03/26/81 03/26/81 04/28/81*
81-9669-3	ESTABLISHMENT OF AN ENCR L INE & CONSTRUCTION OF A PASSAIC HEADWALL WAYNE TWP.	HARTZ MOUNTAIN INDUSTRIES 1 HARMON PLAZA SECAUCUS NJ 07094	T & A ENGINEERING 202 12TH ST PISCATAWAY NJ 08854	ACCEPTED AS COMPLETE BEGIN 90 DAY CALENDAR PROJECT REVIEW COMPLETE DECISION: APPROVED	04/02/81* 04/02/81* 04/03/81* 04/03/81*
81-9673-3	CONSTRUCTION OF A WATER MAI N CROSSING MIDDLESEX EDISON TWP.	TWP OF EDISON 100 MUNICIPAL BLVD EDISON NJ 08817	MENLO ENGINEERING ASSOC 261 CLEVELAND AVE HIGHLAND PARK NJ 08904	ACCEPTED AS COMPLETE BEGIN 90 DAY CALENDAR PROJECT REVIEW COMPLETE DECISION: APPROVED	04/06/81 04/06/81 04/28/81* 04/28/81*
81-9676-3	CONSTRUCTION OF A BUILDING BERGEN LEONIA BORO	KULITE SEMICONDUCTOR INC 1039 HOYT AVE RIDGEFIELD NJ 07657	WILLIAM H SCHWANWEDE 201 THE PLAZA TEANECK NJ 07666	ACCEPTED AS COMPLETE BEGIN 90 DAY CALENDAR PROJECT REVIEW COMPLETE DECISION: APPROVED	04/09/81 04/09/81 04/28/81* 04/28/81*
81-9677-3	PLACEMENT OF FILL WITH THE CONSTRUCTION OF A BUILDING MORRIS PARSIPPANY TROY-	METEM CORP 700 PARSHIPANY ROAD PARSIPPANY-TROY NJ 07054	JENNY ENGINEERING-CORP 318 SOUTH ORANGE AVE SOUTH ORANGE NJ 07079	ACCEPTED AS COMPLETE BEGIN 90 DAY CALENDAR DECISION: APPROVED	04/09/81 04/09/81 04/13/81*
81-9680-3	CONSTRUCTION OF A HEADWALL PASSAIC WAYNE TWP.	ANTHONY BOROCCA 128 DIERRE AVE GARFIELD NJ 07026	RICHARD BROWNE ASSO 50 GAHESI DR WAYNE I NJ 07470	ACCEPTED AS COMPLETE BEGIN 90 DAY CALENDAR	04/13/81* 04/13/81*
81-9681-3	CONSTRUCTION OF BRIDGE DE CK SOMERSET BEDMINSTER TWP.	COUNTY OF SOMERSET ADMIN BLDG BRIDGEHIGHST SOMERVILLE NJ 08876	THOMAS F DECKER ADMIN BLDG BRIDGE HIGH SOMERVILLE NJ 08876	ACCEPTED AS COMPLETE BEGIN 90 DAY CALENDAR	04/13/81* 04/13/81*
81-9682-3	ESTABLISHMENT OF AN ENCR LI NE CUMBERLAND VINELAND CITY	INSTANT DISPOSAL SERVICE 108 CHESTNUT AVE VINELAND NJ 08360	WILLIAM B REPLE 2871 BARRY DRIVE VINELAND NJ 08360	ACCEPTED AS COMPLETE BEGIN 90 DAY CALENDAR PROJECT REVIEW COMPLETE	04/13/81 04/13/81 05/05/81*

NEW JERSEY DEPARTMENT OF ENVIRONMENTAL PROTECTION BULLETIN  
CHANGES IN STATUS FOR PERIOD 04/25/81 TO 05/08/81

PAGE D-15

DOCKET NO. PROJECT LOCATION	PROJECT DESCRIPTION	APPLICANT'S NAME/ADDRESS	FIRM'S NAME/ADDRESS	STATUS OF APPLICATION MILESTONE DATES
<u>STREAM ENCROACHMENT PERMIT APPLICATIONS</u>				
R1-9684-3 BERGEN OAKLAND BORO	ESTABLISHMENT OF AN ENCR L INE	JACK DIERMATTI 177-A MERELINE AVE WEST PATERSON ,NJ 07424	ROBERT SPINNLER ASSOCIATE 555 PREAKNESS AVE TOTOWA ,NJ 07502	ACCEPTED AS COMPLETE BEGIN 90 DAY CALENDAR DECISION: APPROVED 04/16/81 04/16/81 04/28/81*
R1-9685-3 ESSEX FAIRFIELD BORO	ESTABLISHMENT OF AN ENCR LI NE	INVESTMENT MANAGEMENT 15 GREEN ST HACKENSACK ,NJ 07601	ARTHUR M DELUCA 20 UNION ST ROCKAWAY ,NJ 07866	ACCEPTED AS COMPLETE BEGIN 90 DAY CALENDAR DECISION: APPROVED 04/20/81 04/20/81 05/05/81*
R1-9688-3 MORRIS HANDOVER TWP.	CONSTRUCTION OF A BUILDING	JOSEPH A SCHLEIFER 33 KARLA DR WHIPPANY ,NJ 07981	SUZANNE DIGERONIMO 662 GOFFLE RD HAWTHORNE ,NJ 07506	ACCEPTED AS COMPLETE BEGIN 90 DAY CALENDAR 04/27/81* 04/27/81*
R1-9689-3 MERCER WASHINGTON TWP.	CONSTRUCTION OF A HEADWALL FOR A DETENTION BASIN	LOUIS CORBOSIERO 1 ESSEX ROAD CEDAR GROVE ,NJ 07009	MARTIN MILLER 6 PROBASCO DRIVE ALLENTOWN ,NJ 08501	ACCEPTED AS COMPLETE BEGIN 90 DAY CALENDAR 04/27/81* 04/27/81*
R1-9690-3 MONMOUTH MIDDLETOWN TWP.	CONSTRUCTION OF RIP-RAP SLO PE PROTECTION	MIDDLETOWN TWP KINGS HIGHWAY & ROUTE 35 MIDDLETOWN ,NJ 07748	T & M ASSOCIATES 1060 ROUTE 35 PO BOX 828 RED BANK ,NJ 07701	ACCEPTED AS COMPLETE BEGIN 90 DAY CALENDAR 04/27/81* 04/27/81*
R1-9691-3 UNION SPRINGFIELD TWP.	CONSTRUCTION OF A BUILDING WITH AN OUTFALL	TWP OF SPRINGFIELD MUNICIPAL B LDG MOUNTAIN SPRINGFIELD ,NJ 07081	RICHARD J JESKE INC PO BOX 112 SPRINGFIELD ,NJ 07081	ACCEPTED AS COMPLETE BEGIN 90 DAY CALENDAR 04/27/81* 04/27/81*
R1-9692-3 SOMERSET BRANCBURG TWP.	CONSTRUCTION OF A SEWER L INE	BRANCBURG TOWNSHIP 27 CEDAR GROVE RD SOMERVILLE ,NJ 08876	VAW CLEEL ENGINEERING ASS RD BELLE MEAD ,NJ 08502	ACCEPTED AS COMPLETE BEGIN 90 DAY CALENDAR 04/27/81* 04/27/81*
R1-9693-3 BERGEN RIVER EDGE BORO	ESTABLISHMENT OF AN ENCR LI NE	BOROUGH OF RIVER EDGE 705 KINDERKAMACK RD RIVER EDGE ,NJ 07661	WILLIAM H SCHWANWEDE 201 THE PLAZA PO BOX 62 TEANECK ,NJ 07666	ACCEPTED AS COMPLETE BEGIN 90 DAY CALENDAR 04/29/81* 04/29/81*

DOCKET NO.	PROJECT DESCRIPTION PROJECT LOCATION	APPLICANT'S NAME/ADDRESS	FIRM'S NAME/ADDRESS	STATUS OF APPLICATION MILESTONE DATES	
<b>STREAM ENCROACHMENT PERMIT APPLICATIONS</b>					
81-9694-3	CONSTRUCTION OF A BUILDING SOMERSET BRIDGEWATER TWP.	MARTIN KESSELHAUT ESU 80 MAIN ST WEST ORANGE ,NJ 07052	TECTONIC - ALAN SAFNER PO BOX 818 SOMERVILLE ,NJ 08876	ACCEPTED AS COMPLETE BEGIN 90 DAY CALENDAR	04/27/81* 04/27/81*
81-9695-3	CONSTRUCTION OF 4 SEWER CROSSING GLOUCESTER MANTUA TWP.	MANTUA TWP MU PO BOX 8 MANTUA ,NJ 08051	SIPPEL & MASTELLER ASSO 5002B GREENTREE EXEC CAMP MARLTON ,NJ 08053	ACCEPTED AS COMPLETE BEGIN 90 DAY CALENDAR	04/29/81* 04/29/81*
81-9696-3	ESTABLISHMENT OF AN ENCR LI NE BERGEN ROCKLEIGH BORO	RO-KRIS HOMES 14 WAVERLY PLACE CRESSKILL ,NJ 07626	WILLIAM H SCHWANWEDE 201 THE PLAZA R B BOX 626 TEANECK ,NJ 07666	ACCEPTED AS COMPLETE BEGIN 90 DAY CALENDAR	04/29/81* 04/29/81*
81-9698-3	ESTABLISHMENT OF AN ENCR LI NE BURLINGTON MOUNT LAUREL TWP	EVANS PITCAIRN DEV CO JENFINTOWN PLAZA 2ND FLOOR JENKINTOWN ,NJ 19046	TAYLOR ,WISEMAN, & TAYLOR 306 FELLOWSHIP RD MOUNT LAUREL ,NJ 08054	ACCEPTED AS COMPLETE BEGIN 90 DAY CALENDAR	04/29/81* 04/29/81*
81-9699-3	CONSTRUCTION OF A CROSSING UNION LINDEN CITY	ELIZABETHTOWN WATER CO 1 ELIZABETHTOWN PLAZA ELIZABETH ,NJ 07207	ELSON T KILLAM ASSOC INC 27 BLEEKER ST MILLBURN ,NJ 07041	ACCEPTED AS COMPLETE BEGIN 90 DAY CALENDAR	04/29/81* 04/29/81*
81-9700-3	CONSTRUCTION OF A BUILDING ADDITION MORRIS PEQUANNOCK TWP.	MEMORIAL HOSPITAL ASSOC 97 WEST PARKWAY POMPTON PLAINS ,NJ 07444	FRED H PETRY 717 OFFICE PARKWAY ST LOUIS ,MO 63141	ACCEPTED AS COMPLETE BEGIN 90 DAY CALENDAR	04/29/81* 04/29/81*
81-9701-3	CONSTRUCTION OF A CROSSING CAPE MAY CAPE MAY CITY	CAPE MAY COUNTY MUA RD CAPE MAY ,NJ 08210	PANDULLO QUIRK ASSOC 40 GALESI DRIVE WAYNE ,NJ 07470	ACCEPTED AS COMPLETE BEGIN 90 DAY CALENDAR	05/05/81* 05/05/81*
81-9702-3	CONSTRUCTION OF CHANNEL M ODIFICATIONS AND ESTABLISH MENT OF ENCR LINES BERGEN DEMAREST BORO	HOUNANIAN & OLD BRIDGE 10 HIGHWAY 35 RED BANK ,NJ 07701	DONALD W SMITH ASSOCIATES 40 AIRPORT RD LAKEWOOD ,NJ 08701	ACCEPTED AS COMPLETE BEGIN 90 DAY CALENDAR	05/05/81* 05/05/81*

NEW JERSEY DEPARTMENT OF ENVIRONMENTAL PROTECTION BULLETIN  
CHANGES IN STATUS FOR PERIOD 04/25/81 TO 05/08/81

PAGE D-17

DOCKET NO. PROJECT LOCATION	PROJECT DESCRIPTION	APPLICANT'S NAME/ADDRESS	FIRM'S NAME/ADDRESS	STATUS OF APPLICATION MILESTONE DATES
<b>STREAM ENCROACHMENT PERMIT APPLICATIONS</b>				
81-9703-3 MERCER LAWRENCE TWP.	ESTABLISHMENT OF AN ENCR LINE	H R R ASSOCIATES 685 PARKWAY AVE TRENTON ,NJ 08618	TRENTON ENGINEERING CO IN 2193 SPRUCE ST EWING ,NJ 08638	ACCEPTED AS COMPLETE BEGIN 90 DAY CALENDAR 05/05/81* 05/05/81*
81-9704-3 MONMOUTH HOWELL TWP.	STEAM CLEANING	MONMOUTH CTY DRAINAGE AGE 1 LAFALETTE PLACE FREEHOLD ,NJ 07728	ROBERT W HUGULEY 1 LAFALETTE PLACE FREEHOLD ,NJ 07728	ACCEPTED AS COMPLETE BEGIN 90 DAY CALENDAR 05/05/81* 05/05/81*
81-9705-3 MONMOUTH MILLSTONE TWP.	CONSTRUCTION OF A CULVERT AND ESTABLISHMENT OF AN ENCR LINE	PHILIP MILLER 6040 BOULEVARD EAST WEST NEW YORK ,NJ 07093	LORD ANDERSON WORRELL & B MT HOLLY-LUMBERTON ROAD LUMBERTON ,NJ 08048	ACCEPTED AS COMPLETE BEGIN 90 DAY CALENDAR 05/07/81* 05/07/81*
81-9706-3 BERGEN ROCHELLE PARK TW	CONSTRUCTION OF A BUILDING	ALFIS BROTHERS 38 NORTH STREET BERGENFIELD ,NJ 07621	JACK COOGAN 22 EAST QUACKEN BUSH AVE DUMONT ,NJ 07628	ACCEPTED AS COMPLETE BEGIN 90 DAY CALENDAR 05/07/81* 05/07/81*
81-9707-3 MIDDLESEX EDISON TWP.	CONSTRUCTION OF A CHANNEL RE LOCATION WITH FILL	TALMADGE REALTY ASSOC 535 SECAUCUS RD SECAUCUS ,NJ 07094	GOODMAN ALLGAIER & SCOTT 133 HARRIOTT ST WOODBRIIDGE ,NJ 07095	ACCEPTED AS COMPLETE BEGIN 90 DAY CALENDAR 05/07/81* 05/07/81*
<b>SEWER EXTENSION PERMIT APPLICATIONS</b>				
80-2537-4 UNION UNION TWP.	COLONIAL WOODS SEWER EXT	AMI INC 2109 ST GEORGES AVE RAHWAY ,NJ 07065	JOHN CILO JR ASSOCIATES PO BOX 366 SOMERVILLE ,NJ 08876	ACCEPTED AS COMPLETE BEGIN 90 DAY CALENDAR PROJECT REVIEW COMPLETE DECISION: APPROVED 01/29/81* 01/29/81* 03/24/81* 03/26/81*
80-2546-4 ATLANTIC EGG HARBOR TWP.	THE WOODS SEWER EXTENSION	EGG HARBOR TWP MUA RD 1 BOX 262 LINWOOD ,NJ 08221	PENNONI ASSOCIATES INC 1911 ARCH STREET PHILADELPHIA ,PA 19103	ACCEPTED AS COMPLETE BEGIN 90 DAY CALENDAR PROJECT REVIEW COMPLETE DECISION: APPROVED 01/27/81* 01/27/81* 02/18/81* 02/19/81*
81-2586-4 ESSEX LIVINGSTON TWP.	PARKWAY VILLAGE SEWER EXTENSION	LIVINGSTON TOWNSHIP 357 SO LIVINGSTON AVE LIVINGSTON ,NJ 07039	ONOFRIO ASSOCIATES 172 SO RIDGEDALE AVE EAST HANOVER ,NJ 07936	ACCEPTED AS COMPLETE BEGIN 90 DAY CALENDAR PROJECT REVIEW COMPLETE DECISION: DENIED 01/21/81 01/21/81 04/15/81* 04/16/81*W/O

DOCKET NO. PROJECT LOCATION	PROJECT DESCRIPTION	APPLICANT'S NAME/ADDRESS	FIRM'S NAME/ADDRESS	STATUS OF APPLICATION MILESTONE DATES
<b>SEWER EXIENSION PERMIT APPLICATIONS</b>				
81-2614-4 CAMDEN GLoucester TWP.	SHENANDOAH VILLAGE SEWER EXTENSION	SHENANDOAH VILLAGE INC 1405 CHEWS LANDING LAUREL SPRINGS ,NJ 08021	GERALD E SPEITEL ASSOC RT 73 RAMBLEWOOD PARKWAY MT LAUREL ,NJ 08054	ACCEPTED AS COMPLETE 02/02/81 BEGIN 90 DAY CALENDAR 02/02/81 PROJECT REVIEW COMPLETE 04/27/81* DECISION: APPROVED 04/30/81*
81-2642-4 BURLINGTON DELTRAN TWP.	MILLSIDE INDUSRTIAL PARK SEW EXT	DELTRAN SEW AUTH CHESTER AVE MUN BLDG DELTRAN ,NJ 08075	WHITESELL CONSTRUCTION CO 1819 UNDERWOOD BLVD DELTRAN ,NJ 08075	ACCEPTED AS COMPLETE 02/25/81 BEGIN 90 DAY CALENDAR 02/25/81 PROJECT REVIEW COMPLETE 04/24/81* DECISION: DENIED 04/27/81*W/O
81-2709-4 MIDDLESEX SOUTH BRUNSWICK	SANDS HILL ROAD SEWER EXT	SOUTH BRUNSWICK TWP KINGSTON LANE MONMOUTH JCT ,NJ 08852	S P DEPALMA 356 MAIN STREET MATAWAN ,NJ 07747	ACCEPTED AS COMPLETE 04/23/81* BEGIN 90 DAY CALENDAR 04/23/81*
81-2715-4 WARREN BELVIDERE TOWN	WARREN PLACE SEWER EXT	TOWN OF BELVIDERE 301 SECOND STREET BELVIDERE ,NJ 07823	T AND T ASSOCIATES PO BOX 737 EASTON ,PA 18042	ACCEPTED AS COMPLETE 04/16/81* BEGIN 90 DAY CALENDAR 04/16/81*
81-2719-4 CAMDEN STRATFORD BORO	STATE ROUTE 72 SEWER EXT	STAFFORD MUA 25 PINE STREET MANAHAWKIN ,NJ 08050	FELLOWS READ WEBER ASSOC 310 MAIN STREET TOMS RIVER ,NJ 08753	ACCEPTED AS COMPLETE 04/28/81* BEGIN 90 DAY CALENDAR 04/28/81*
81-2722-4 MONMOUTH EATONTOWN BORO	WALL STREET SEWER EXT	EATONTOWN SEW AUTH 47 BROAD STREET EATONTOWN ,NJ 07724	BIRDSALL CORP 1700 F STREET BELMAR ,NJ 07719	ACCEPTED AS COMPLETE 04/27/81* BEGIN 90 DAY CALENDAR 04/27/81*
81-2724-4 CAMDEN PENNSAUKEN TWP.	BRYN MAWR AVENUE SEWER EXT	PENNSAUKEN SA 5605 N CRESCENT BLVD PENNSAUKEN ,NJ 08110	FISHER AND SAMPSON 929 N KINGS HWY CHERRY HILL ,NJ 08034	ACCEPTED AS COMPLETE 04/29/81* BEGIN 90 DAY CALENDAR 04/29/81*
81-2725-4 MIDDLESEX WOODBRIIDGE TWP.	NEWPORT COURT SEWET EXT	WOODBRIIDGE TOWNSHIP ONE MAIN STREET WOODBRIIDGE ,NJ 07095	GOODMAN ALLGAIER SCOTT 133 HARRIOT ST- WOODBRIEDGE ,NJ 07095	ACCEPTED AS COMPLETE 04/28/81* BEGIN 90 DAY CALENDAR 04/28/81*

NEW JERSEY DEPARTMENT OF ENVIRONMENTAL PROTECTION BULLETIN  
 CHANGES IN STATUS FOR PERIOD 04/25/81 TO 05/08/81

PAGE D-19

DOCKET NO. PROJECT DESCRIPTION PROJECT LOCATION	APPLICANT'S NAME/ADDRESS	FIRM'S NAME/ADDRESS	STATUS OF APPLICATION MILESTONE DATES	
<b>SEWER_EXTENSION PERMIT APPLICATIONS</b>				
81-2726-4 SOUTHMILL ROAD SEWER EXT MERCER WEST WINDSOR TWP	CENTRAL JERSEY MGT INC DEVONSHIRE DR M8 CRANBURY NJ 08512	THOMAS TYLER ASSOC INC 67 SCOTCH ROAD EWING NJ 08628	ACCEPTED AS COMPLETE BEGIN 90 DAY CALENDAR	04/28/81* 04/28/81*
81-2733-4 HILLTOP ROAD AND HILLTOP COURT SEW EXT OCEAN LACEY TWP.	LACEY MUA PO BOX 205 720 LACEY RD FORKED RIVER NJ 08731	FELLOWS READ WEBR ER INC 310 MAIN STREET TOMS RIVER NJ 08753	ACCEPTED AS COMPLETE BEGIN 90 DAY CALENDAR	04/30/81* 04/30/81*
81-2738-4 US ROUTE 9 SEWER EXT OCEAN LACEY TWP.	JERSEY CENTRAL POWER LIGH MADISON AVE AT PUNCHBOWL MORRISTOWN NJ 07960	ROBERT B SMITH ENGINEER SAME AS ABOVE	ACCEPTED AS COMPLETE BEGIN 90 DAY CALENDAR	04/30/81* 04/30/81*
81-2748-4 WILDERNESS ACRES SEWER EXT CAMDEN CHERRY HILL TWP.	CHERRY HILL TWP PERINA BLVD CHERRY HILL NJ 08003	RICHARD E ROHRBACH PE 820 MERCER ST CHERRY HILL NJ 08002	ACCEPTED AS COMPLETE BEGIN 90 DAY CALENDAR PROJECT REVIEW COMPLETE DECISION: APPROVED	04/28/81* 04/28/81* 04/29/81* 04/30/81*
81-2749-4 JILL DRIVE LORRIE LANE AND BIRCHWOOD COURT SEW EXT MERCER WEST WINDSOR TWP	WEST WINDSOR TWP CLARKSVILLE NO POST RDS WEST WINDSOR NJ 08550	FELLOWS READ WEBER INC PO BOX 38 WEST WINDSOR NJ 08550	ACCEPTED AS COMPLETE BEGIN 90 DAY CALENDAR	04/28/81* 04/28/81*
<b>CAERA PERMIT APPLICATIONS</b>				
80-0426-5 DENNIS WOODS SEC 3 58 SFA U NITS CAPE MAY DENNIS TWP.	APPLICANT 107 N MAIN ST CAPE MAY COURT HS NJ 08210	RALPH PETRELLA JR 901 BAYSHORE RD VILLAS NJ 08251	RECEIPT DATE ADD. INFO. REQUESTED ADD. INFO. RECEIVED COMPLETE FOR FILING PUBLIC HEARING SCHED. SCHED. DATE PUB. HEARING PUBLIC HEARING HELD ADD. INFO. REQUESTED ADD. INFO. RECEIVED ACC. FOR COMP. REVIEW	07/28/80 09/26/80 10/21/80 11/05/80 11/06/80 12/03/80 12/03/80 12/03/80* 12/16/80* 12/16/80*
80-0432-5 WHALERS CROSSING DEVELOPMEN T 112 TOWNHOUSES ATLANTIC PLEASANTVILLE CT	APPLICANT BP BOX 183 NORTHFIELD NJ 08225	S W THOMAS 3RD PE 545 TILTON ROAD NORTHFIELD NJ 08225	RECEIPT DATE ADD. INFO. REQUESTED ADD. INFO. RECEIVED COMPLETE FOR FILING PUBLIC HEARING SCHED. SCHED. DATE PUB. HEARING PUBLIC HEARING HELD ACC. FOR COMP. REVIEW	09/08/80 09/08/80 01/22/81 01/28/81 02/02/81 03/27/81 03/27/81 03/10/81*

NEW JERSEY DEPARTMENT OF ENVIRONMENTAL PROTECTION BULLETIN  
 CHANGES IN STATUS FOR PERIOD 04/25/81 TO 05/08/81

DUCKET NO.	PROJECT DESCRIPTION PROJECT LOCATION	APPLICANT'S NAME/ADDRESS	FIRM'S NAME/ADDRESS	STATUS OF APPLICATION MILESTONE DATES
<b>CAERA PERMIT APPLICATIONS</b>				
80-0435-5	RAY HARBOUR ESTATES 257 UN IT CLUSTER TOWNHOUSES ON OCEAN 40.5 ACRES LITTLE EGG HARBO	APPLICANT RADIO ROAD TUCKERTON NJ 08087	THOMAS MONAHAN COURTHOUSE SQUARE DOVER TWSP NJ 08753	RECEIPT DATE 08/18/80 ADD. INFO. REQUESTED 09/18/80 ADD. INFO. RECEIVED 11/03/80 COMPLETE FOR FILING 11/19/80 PUBLIC HEARING SCHED. 12/04/80 SCHED. DATE PUB. HEARING 01/14/81 ACC. FOR COMP. REVIEW 02/26/81*
80-0446-5	42 LOT SINGLE FAMILY DEV WITH REC AREA CAPE MAY DENNIS TOWNSHIP DENNIS TWP.	APPLICANT 113 RAMBLEWOOD PARKWAY MT LAUREL NJ 08504	JOSEPH L LOMAX RD 1 BOX 231 CAPE MAY CT HOUSE NJ 08210	RECEIPT DATE 09/12/80 ADD. INFO. REQUESTED 10/02/80 ADD. INFO. RECEIVED 11/13/80 COMPLETE FOR FILING 11/26/80 PUBLIC HEARING SCHED. 12/01/80 SCHED. DATE PUB. HEARING 01/12/81 PUBLIC HEARING HELD 01/12/81 ADD. INFO. REQUESTED 01/12/81* ADD. INFO. RECEIVED 01/26/81* ACC. FOR COMP. REVIEW 01/26/81* DECISION: APPROVED 04/26/81* C
80-0451-5	TOWNHOUSE & HIGH RISE CONDO UNITS WITH PARKING GARAGE ATLANTIC WELLINGTON ESTATES PLEASANTVILLE CI	GRUZEN PARTNERS AREF&PLA 9465 WILSHIRE BLVD SUITE6 BEVERLY HILLS CA 90212	ADAMS REHMANN HEGGAN ASSO 850 S WHITE HORSE PIKE HAMMONTON NJ 08037	RECEIPT DATE 09/26/80 ADD. INFO. REQUESTED 10/24/80 ADD. INFO. RECEIVED 11/10/80 COMPLETE FOR FILING 11/21/80 PUBLIC HEARING SCHED. 12/04/80 SCHED. DATE PUB. HEARING 01/14/81 PUBLIC HEARING HELD 01/14/81 ADD. INFO. REQUESTED 01/14/81* ADD. INFO. RECEIVED 03/17/81* ACC. FOR COMP. REVIEW 03/17/81*
80-0460-5	GRIFFIN PARK ATLANTIC GALLOWAY TWP.	COASTAL PLAINS 21 GORDONS ALLEY ATLANTIC CITY NJ 08401	COASTAL PLAINS 21 GORDONS ALLEY ATLANTIC CITY NJ 08401	RECEIPT DATE 10/06/80 ADD. INFO. REQUESTED 11/05/80 ADD. INFO. RECEIVED 01/16/81 COMPLETE FOR FILING 02/03/81 PUBLIC HEARING SCHED. 02/04/81 SCHED. DATE PUB. HEARING 03/27/81 PUBLIC HEARING HELD 03/27/81 ADD. INFO. REQUESTED 03/27/81* ADD. INFO. RECEIVED 04/22/81* ACC. FOR COMP. REVIEW 04/22/81*

NEW JERSEY DEPARTMENT OF ENVIRONMENTAL PROTECTION BULLETIN  
 CHANGES IN STATUS FOR PERIOD 04/25/81 TO 05/08/81

DOCKET NO. PROJECT DESCRIPTION PROJECT LOCATION	APPLICANT'S NAME/ADDRESS	FIRM'S NAME/ADDRESS	STATUS OF APPLICATION MILESTONE DATES	
<b>CAERA PERMIT APPLICATIONS</b>				
80-0462-5 ATLANTIC CITY WASTEWATER ATLANTIC ATLANTIC CITY	GANNETT FLEMING & CORDDRY PO BOX 1830 233 GUARANTEE ATLANTIC CITY ,NJ 08404	GANNETT FLEMING CORDDRY PO BOX 1830 ATLANTIC CITY ,NJ 08404	RECEIPT DATE	10/14/80
			COMPLETE FOR FILING	11/12/80
			PUBLIC HEARING SCHED.	12/12/80
			SCHED. DATE PUB. HEARING	01/14/81
			PUBLIC HEARING HELD	01/14/81
			ADD. INFO. REQUESTED	01/14/81*
			ADD. INFO. RECEIVED	01/23/81*
			ACC. FOR COMP. REVIEW	01/23/81*
80-0468-5 SILVER RIDGE OCEAN BERKELEY TWP.	MICHAEL GROSS ESQ 270 ROUTE 35 PO BOX 190 MIDDLETOWN ,NJ 07748	ERNST ERNST & LISSENDEN 52 HYERS ST TOMS RIVERR ,NJ 08753	RECEIPT DATE	11/21/80
			ADD. INFO. REQUESTED	12/19/80
			ADD. INFO. RECEIVED	03/25/81
			COMPLETE FOR FILING	04/06/81
			PUBLIC HEARING SCHED.	04/08/81
			SCHED. DATE PUB. HEARING	05/14/81
81-0499-5 LOWER TWP PARKING COMMERCIAL PARKING EXP CAPE MAY LOWER TWP.	JOSEPH L LOMAX R D 1 BOX 231 CAPE MAY C H ,NJ 08210	RISTZ AND RIETZ 2047 LOCUST STREET PHILADELPHIA ,PA 19078	RECEIPT DATE	04/24/81
81-0500-5 YACHTSMANS ANCHORAGE CONSTRUCT 87 BOATEL UNITS OCEAN DOVER TWP.	MICHAEL J GROSS ESQ PO BOX 190 MIDDLETOWN ,NJ 07748	ERNST ERNST & LISSENDEN P 52 HYERS ST P O BOX 391 TOMS RIVER ,NJ 08753	RECEIPT DATE	04/27/81
81-0501-5 PIER 34 120 CONDOMINIUM UNITS CAPE MAY OCEAN CITY	MICHAEL D MILLER 21 GORDONS ALLEY ATLANTIC CITY ,NJ 08401	MICHAEL D MILLER & ASSOC 21 GORDONS ALLEY ATLANTIC CITY ,NJ 08401	RECEIPT DATE	04/27/81
81-0502-5 INTERCEPT PARKING APPROX 1000 PARKING SPACES ATLANTIC ATLANTIC CITY	ROBERT E HUGHEY 9408 VENTNOR AVE MARGATE ,NJ 08402	E P RYAN ASSOC 4-A SANDPIPER SQUARE ABSECON ,NJ 08201	RECEIPT DATE	04/29/81
81-0503-5 MATTIX FORGE 1476 HOUSING UNITS ATLANTIC GALLOWAY TWP.	GARY BICKLE 850 S WHITE HORSE PIKE HAMMONTON ,NJ 08037	ADAMS, REHMANN & HEGGAN AS 850 S WHITE HORSE PIKE HAMMONTON ,NJ 08037	RECEIPT DATE	04/29/81

DOCKET NO.	PROJECT DESCRIPTION PROJECT LOCATION	APPLICANT'S NAME/ADDRESS	FIRM'S NAME/ADDRESS	STATUS OF APPLICATION MILESTONE DATES
<b>CAERA PERMIT APPLICATIONS</b>				
91-0504-5	SEAWIND FARMS 302 BUILDING LOTS OCEAN LITTLE EGG HARBO	GEORGE A VANSANT PO BOX 756 FORKED RIVER ,NJ 08731	WILCOX & GRAVATT, INC PO BOX 756 FORKED RIVER ,NJ 08731	RECEIPT DATE 05/04/81

DENIAL CODES: W -- INDICATES DENIAL WITH PREJUDICE  
 W/O -- INDICATES DENIAL WITHOUT PREJUDICE

APPROVAL CODES: C -- INDICATES CONDITIONS OTHER THAN STANDARD ARE APPLICABLE  
 P -- INDICATES PENALTIES ARE OR WILL BE APPLIED AGAINST THE APPLICANT  
 O -- INDICATES OTHER PERMITS ARE REQUIRED.

\* -- INDICATES A DATE CHANGE FROM THE PREVIOUS BULLETIN

05/11/81

PERMITS - OTHER THAN 90 DAY LAW PERMITS  
 NEW JERSEY DEPARTMENT OF ENVIRONMENTAL PROTECTION BULLETIN  
 CHANGES IN STATUS FOR THE PERIOD 04/25/81 TO 05/09/81

PAGE D -23

DOCKET NO.	PROJECT DESCRIPTION PROJECT LOCATION	APPLICANT'S NAME/ADDRESS	FIRM'S NAME/ADDRESS	STATUS OF APPLICATION MILESTONE DATES	
WATER QUALITY CEPT PERMIT APPLICATIONS -----					
RI-0103-14	CONSTRUCTION OF BREASTING CELL ARTHUR KILL  MIDDLESEX CARTERET BORO	GATX TERMINALS CORP 78 LAFAYETTE ST CARTERET 07009	NJ  07008	APPLICANT	RECEIPT-DATE ACC AS COMPLETE APPROVED 01/14/81* 03/03/81*0
RI-0104-14	STABIL OF SHORELINE, NEW WET LANDS, PIER, PILINGS BULKHEAD MAINTENANCE DREDGE, BASS ATLANTIC HARBOR SOMERS POINT CITY	SCARBOROUGH, R RANDALL OCEAN HTS AVE-ZION RD BARGAINTOWN 08221	NJ  08221	APPLICANT	RECEIPT-DATE ACC AS COMPLETE APPROVED 01/14/81 01/14/81* 04/13/81*0C
RI-0105-14	REMOVE DOCK, RESTORE DECK, DOCKS LOTS 16A, 16A2, 17, 172 18B, 18B2 BLOCK 1311 CAPE MAY OCEAN CITY	WILLIAMS, FRANKLIN 1330 BAY AVE OCEAN CITY 08226	NJ  08226	APPLICANT	RECEIPT-DATE ACC AS COMPLETE APPROVED 01/14/81 01/14/81* 02/06/81*0
RI-0106-14	59 FT BULKHEAD CONSTRUCT- ION RECESSED DOCK LOTS 4,5 BLOCK 471, BARNEGAT BAY OCEAN DOVER TWP.	EDWARDS, EDWARD K 62 DUNLGA AVE PISCATAWAY 08854	NJ  08753	THOMAS SCHIGOTZKI 215 CONSTITUTION AVE 38 08753	RECEIPT-DATE ACC AS COMPLETE APPROVED 01/14/81 01/14/81* 02/06/81*0
RI-0107-14	CONSTRUCT BULKHEAD, PIER LOTS 11, 12 BLOCK 211-0-4 BARNEGAT BAY OCEAN BRICK TWP.	KRIZ, JOHN 73 MANTOLOKING RD BRICKTOWN 08723	NJ  08723	APPLICANT	RECEIPT-DATE ACC AS COMPLETE APPROVED 01/14/81 01/14/81* 02/06/81*0
RI-0108-14	CONSTRUCT PIER, MOORING PILE LE DREDGING LOT 5 BLOCK 9-9 BARNEGAT BAY OCEAN LAVALETTE BORO	OBSSUTH, ALLAN 73 MANTOLOKING RD BRICKTOWN 08723	NJ  08723	APPLICANT	RECEIPT-DATE ACC AS COMPLETE APPROVED 01/14/81 01/14/81* 02/26/81*0C
RI-0109-14	CONSTRUCT 60 FT BULKHEAD LOTS 17-19 BLOCK 1076-10 OCEAN DOVER TWP.	KOZLOWSKI ROBERT 762 CEDAR AVE ELIZABETH 07202	NJ  07202	APPLICANT	RECEIPT-DATE ACC AS COMPLETE APPROVED 01/14/81 01/14/81* 02/06/81*0
RI-0110-14	MAINTENANCE DREDGING LOT 0005 BLOCK 0708 CAMDEN CAMDEN CITY	MAC ANDREWS-FORBES CO THIRD ST-JEFFERSON AVE CAMDEN 08104	NJ  08104	ST HUDSON ENG 211 SOUTH BROAD ST PHILADELPHIA 19107	RECEIPT-DATE ACC AS COMPLETE APPROVED 01/16/81 01/16/81* 01/22/81*0C

DOCKET NO. PROJECT LOCATION	PROJECT DESCRIPTION	APPLICANT'S NAME/ADDRESS	FIRM'S NAME/ADDRESS	STATUS OF APPLICATION MILESTONE DATES
WATER QUALITY CEPT PERMIT APPLICATIONS -----				
81-0112-14 OCEAN BRICK TWP.	MAINTENANCE DREDGING BULKHEAD CONST LOT 1A 1B BLOCK 23	CHASE D NJSH RT 35 S BLVD BRICK TWP 08723	NJ GEORGE HENN 73 MONTOLOKING RD BRICK 08723	RECEIPT-DATE 02/04/81 ACC AS COMPLETE 02/04/81* APPROVED 03/30/81:00
81-0114-14 ATLANTIC BRIGANTINE CITY	CONSTRUCT PIER LOT-4A & B BLOCK 268 B ST GEORGES THORUFARE	TALANSKY BARNEY 4506 HARBOR BEACH BLVD BRIGANTINE 08203	NJ PENNONI ASSOCIATES INC 555 NEW JERSEY AVE ABSECON 08201	RECEIPT-DATE 01/26/81 ACC AS COMPLETE 01/26/81* APPROVED 03/30/81:00
81-0115-14 OCEAN BRICK TWP.	DREDGE, PIER, PILES RIP RAP LOT 1 BLOCK 41 /	MONICA 35 S BLVD BRICK 08723	NJ GEORGE HENN 73 MONTOLOKING RD BRICK 08723	RECEIPT-DATE 02/04/81 ACC AS COMPLETE 02/04/81* APPROVED 03/30/81:00
81-0116-14 OCEAN POINT PLEASANT BORO	CONSTRUCT DOCK LOT 21 BLOCK H	SIGNORE JAY 123 HARROW LA PT PLEASANT 08742	NJ APPLICANT 08742	RECEIPT-DATE 01/26/81 ACC AS COMPLETE 01/26/81* APPROVED 02/06/81:00
81-0117-14 OCEAN DOVER TWP.	CANTILEVER DOCK LOT B BLOCK 235-U LAGOON TO GREEN ISL HARBOR	KOENEMUND FRANK 306 CENTRE AVE SECAUCUS 07094	NJ T SCHIGOTZKI 215 CONSTITUTION AVE TOMS RIVER 07094	RECEIPT-DATE 01/26/81 ACC AS COMPLETE 01/26/81* APPROVED 02/23/81:00
81-0118-14 OCEAN LACEY TWP.	BULKHEAD LOT 30 BLOCK 362	LANGE ROGER FW 210 APACNE CT NEWARK 19702	DE T SCHIGOTZKI 215 CONSTITUTION AVE TOMS RIVER 08753	RECEIPT-DATE 01/26/81 ACC AS COMPLETE 01/27/81* APPROVED 02/23/81:00
81-0119-14 OCEAN LACEY TWP.	PROPOSED PIER ON BARNEGAT BAY LOT 1 BLOCK 237 WARETOWN	CANAL, JOHN, T 53-60 RT38 PENNSAUKEN 08109	NJ THOMAS SCHIGOTZKI 215 CONSTITUTION AVE TOMS RIVER 08753	RECEIPT-DATE 01/27/81 ACC AS COMPLETE 01/27/81* APPROVED 02/23/81:00
81-0120-14 OCEAN MANTALOKING BORO	MAINTENANCE DREDGING-LAGOON LOT 21, BLOCK 43C, MANTOLOKING	SCHAEFER-BAYVIEW SHORES 349 SOUTH BAY DRIVE MANTOLOKING 08738	NJ APPLICANT 08738	RECEIPT-DATE 01/27/81 ACC AS COMPLETE 01/27/81* APPROVED 03/30/81:00

DOCKET NO.	PROJECT DESCRIPTION PROJECT LOCATION	APPLICANT'S NAME/ADDRESS	FIRM'S NAME/ADDRESS	STATUS OF APPLICATION MILESTONE DATES
<b>WATER QUALITY CERT PERMIT APPLICATIONS</b> -----				
81-0121-14	REPLACE WOODEN DECK BLOCK 312 AND REMOVE BULKHEAD, RELOCATE DOCKS PILING CAPE MAY OCEAN CITY	OAKWOOD CORP PO BOX 501 MARMORA NJ 08223	APPLICANT  08223	RECEIPT-DATE ACC AS COMPLETE APPROVED 01/27/81 01/27/81* 02/18/81*
81-0122-14	CONSTRUCT TIMBER DOCK LOT 11 BLOCK 881A OCEAN DOVER TWP.	HIRSCH,FRANK 246 SPRUCE AVE GARWOOD NJ 07027	ANDERSON AND BALLIS ASSOC 321 MANTOLOKING RD BRICK NJ 08723	RECEIPT-DATE ACC AS COMPLETE APPROVED 01/27/81 01/27/81* 02/23/81*0
81-0123-14	PROPOSED PIER + BULKHEAD, MOORING PILES, LOTS 55,55 BLOCK 1113, LAVALETTE OCEAN LAVALETTE BORO	LEMBO, ALPONSO 101 SAW MILL RD NORTH HALEDON NJ 07580	LASALA FELDMAN SCHER 1615 HAMBURG TURNPIKE WAYNE NJ 07470	RECEIPT-DATE ADD INFO REQUESTED ADD INFO RECEIVED 01/28/81 02/03/81* 02/06/81*
81-0124-14	BULKHEAD REPLACEMENT BULKHEAD, DOCKS, MOORING PILES CAPE MAY SEA ISLE CITY	GORDON ALAN J 15-43RD STREET SEA ISLE CITY NJ 08243	JOHN C GIBSON 421 LANDIS AVE SEA ISLE CITY SE 08243	RECEIPT-DATE ACC AS COMPLETE APPROVED 01/30/81 01/31/81* 02/23/81*0
81-0203-14	LAY AND MAINTAIN CONCRETE DUCT BANK FOR PIPES CONTAINING ELECTRIC CABLES BERGEN RIDGEFIELD BORO	COMPANY, P.S.E.+G. 80 PARK PLAZA NEWARK NJ 07101	APPLICANT  07101	RECEIPT-DATE ACC AS COMPLETE APPROVED 02/03/81 02/03/81* 03/30/81*0
81-0204-14	DREDGING DOCKS 2 & 3, BARGE BERTHS, FOOT OF LAFAYETTE ST., ARTHUR KILL MIDDLESEX CARTERET BORO	CORP., GENERAL AMERICAN TRANS 78 LAFAYETTE ST CARTERET NJ 07008	SIMPSON, BROWN + KENLAN 119 NORTH AVENUE W CRANFORD NJ 07016	RECEIPT-DATE ADD INFO REQUESTED ADD INFO RECEIVED ACC AS COMPLETE 02/03/81 02/11/81* 02/27/81* 02/27/81*
81-0205-14	TIMBER BULKHEAD LOT 1 BLOCK 211D-15 / OCEAN BRICK TWP.	RABINSKI LESZER 496 AMHERST DR BRICK NJ 08723	APPLICANT  08723	RECEIPT-DATE ACC AS COMPLETE APPROVED 02/04/81 02/04/81* 02/11/81* C
81-0206-14	REPLACE BULKHEAD NEW BULKHEAD DREDGE LAGOON ESSEX BLOOMFIELD TOWN	MC CREA JOHN 39 CAROL PLACE BLOOMFIELD NJ 07003	COASTAL ENGINEERING 106 N HARBOR RD WARETOWN	RECEIPT-DATE ACC AS COMPLETE APPROVED 02/11/81 02/11/81* 03/30/81*0C

DOCKET NO. PROJECT LOCATION	PROJECT DESCRIPTION	APPLICANT'S NAME/ADDRESS	FIRM'S NAME/ADDRESS	STATUS OF APPLICATION MILESTONE DATES
WATER QUALITY CERT PERMIT APPLICATIONS -----				
81-0207-14 OCEAN BERKELEY TWP.	CONSTRUCT DOCK BARNEGAT BAY	DRAYTON HENRY F 71 MC CASH ROAD UPPER MONTCLAIR 07043	NJ MORRIS E GLASGOW INC 1119 ARNOLD AVE PT PLEASANT 08742	NJ RECEIPT-DATE ADD INFO REQUESTED 02/13/81 03/30/81*
81-0208-14 OCEAN DOVER TWP.	BULKHEAD REPLACEMENT LOT 20 BLOCK 297 C LAGOON	PELAK HARRY 347 SILVER LAGOON DR TOMS RIVER 08703	NJ BIRD CONSTRUCTION 55 BUTLER BLVD PO BOX 308 BAYVILLE 08721	NJ RECEIPT-DATE ACC AS COMPLETE APPROVED 02/05/81* 02/06/81* 02/13/81* C
81-0209-14 CAPE MAY STONE HARBOR BORO	RECONSTRUCT EXISTING BULKHEAD CONST NEW RAMP FLOAT MOURING PILES STONE HARBOR	BOYER ROBERT & MARSHA 9725 2ND AVE APT 2 STONE HARBOR 08210	/ ALVIN C HERMAN 7 MECHANIC ST PO BOX CAPE MAY COURT 08210	NJ RECEIPT-DATE ACC AS COMPLETE APPROVED 02/13/81 02/13/81* 03/30/81*0
81-0210-14 MONMOUTH BELMAR BORO	CONSTRUCTION OF NEW BULKHEAD	FLANAGAN JOSEPH 1210 CREEK ROAD BELLMAWR 08031	NJ SAME /	RECEIPT-DATE ACC AS COMPLETE APPROVED 02/18/81 02/18/81* 03/30/81*0
81-0212-14 OCEAN DOVER TWP.	CONSTRUCT 6 INTERNAL PONDS LOT 77 BLOCK 444 SILVER BAY & APPEGATE COVE	OCEAN CO MOSG EXTERM CUMM W BAY AVE PO BOX 327 BARNEGAT 08005	NJ SAME	RECEIPT-DATE ACC AS COMPLETE APPROVED 02/19/81 02/19/81* 03/30/81*
81-0213-14 CAPE MAY SEA ISLE CITY	PIER FLOATING DOCK MOORING PILES LOT 1.05 BLOCK 77.05 LUDLAM'S THOROFARE	RAWSON LESLIE BARBARA 1224 FOXGLOVE LANE WEST CHESTER 00000	PA JOHN C GIBSON 4211 LANDIS AVE SEA ISLE CITY 08243	NJ RECEIPT-DATE ACC AS COMPLETE 02/19/81 02/19/81*
81-0222-14 OCEAN LITTLE EGG HARBOR	CONSTRUCT REINFORCED CONCRETE PIPE RT 9 JESSES CREEK	N J DEPT OF TRANSPORTATION 1035 PARKWAY AV PO BOX 101 TRENTON 08620	NJ SAME 09620	RECEIPT-DATE ADD INFO REQUESTED 02/26/81 04/16/81*
81-0223-14 OCEAN STAFFORD TWP.	INSTALL POTABLE WATER LINES LAGOON	STAFFORD MOA 25 PINE ST MANAHAWKIN 08050	NJ FELLOWS READ & ASSOC INC 310 MAIN ST CN 2546 TOMS RIVER 08753	NJ RECEIPT-DATE ACC AS COMPLETE APPROVED 02/26/81 02/26/81* 03/30/81*0

05/11/81

NEW JERSEY DEPARTMENT OF ENVIRONMENTAL PROTECTION BULLETIN  
CHANGES IN STATUS FOR THE PERIOD 04/25/81 TO 05/09/81

PAGE D -27

DOCKET NO.	PROJECT DESCRIPTION PROJECT LOCATION	APPLICANT'S NAME/ADDRESS	FIRM'S NAME/ADDRESS	STATUS OF APPLICATION MILESTONE DATES	
WATER QUALITY CERT PERMIT APPLICATIONS -----					
R1-0224-14	CONST BULKHEAD & DOCK LOT 21 BLOCK 235X LAGOON  OCEAN DOVER TWP.	SPAQNA ALFRED 713 PHOERE ST TOMS RIVER 08753	ALFRED L MESSANO 12 ROBBINS PARKWAY TOMS RIVER 08753	NJ	NJ
					RECEIPT-DATE 02/26/81 ACC AS COMPLETE 02/26/81* APPROVED 03/30/81*0
R1-0225-14	DREDGING LOT 500 BLOCK 166 LAGOON  OCEAN STAFFORD TWP.	SHENKO WILLIAM 7 STAG PLACE LINCROFT 07738	APPLICANT	NJ	
					RECEIPT-DATE 02/26/81 ACC AS COMPLETE 02/26/81* APPROVED 03/30/81*00
R1-0226-14	CONST DOCK & 1 MOORING PILE LOT 9D BLOCK 100 MANASQUAN RIVER  MONMOUTH BRIELLE BORO	RIZZO DONALD L 405 OSPREY PT DRIVE BRIELLE 08730	MORRIS & GLASGOW INC 11 9 ARNOLD AVE PT PLEASANT 08742	NJ	NJ
					RECEIPT-DATE 02/26/81 ACC AS COMPLETE 02/26/81*
R1-0227-14	BULKHEAD & DOCK LOT 99 100 101 BLOCK 1108-10 LAGOON  OCEAN DOVER TWP.	MANGANO JOSEPH 123 WESTMINSTER PLACE GARFIELD 07026	BIRD CONSTRUCTION 635 RT9 PO BOX 308 BAYVILLE 08721	NJ	NJ
					RECEIPT-DATE 02/26/81 ACC AS COMPLETE 02/26/81* APPROVED 03/30/81*0
R1-0228-14	CONSTRUCT DOCK LOT 31 MILL CREEK  OCEAN STAFFORD TWP.	HOOSE EDWARD G 6 FOREST LANE GREEN BROOK 08812	APPLICANT	NJ	
					RECEIPT-DATE 02/26/81 ACC AS COMPLETE 02/26/81*
R1-0229-14	MAINTENANCE DREDGING LOT 4 BLOCK B 2 ARTHUR KILL  MIDDLESEX CARTERET BORO	US METALS REFINING CO 400 MIDDLESEX AVE CARTERET 07008	SAME	NJ	
					RECEIPT-DATE 02/27/81 ACC AS COMPLETE 02/27/81* APPROVED 04/10/81*
R1-0301-14	CONSTRUCT TIMBER PIER LOT 488 489 BLOCK 822 DBE'S THORFARE  ATLANTIC BRIGANTINE CITY	STEFFANO PETER & LENA 912 NORTH SHORE DRIVE BRIGANTINE 08203	PENNONI ASSOC INC 555 NEW JERSEY AVE ABSECON 08401	NJ	NJ
					RECEIPT-DATE 03/03/81 ACC AS COMPLETE 03/03/81* APPROVED 03/30/81*0
R1-0302-14	CONSTRUCT BULKHEAD LOT 37 BLOCK 111 LITTLE EGG HARBOR BAY  OCEAN TUCKERTON BORO	JUDD EDWARD A 253 FUTTON ST NEW MILFORD 07646	APPLICANT	NJ	
					RECEIPT-DATE 03/03/81 ACC AS COMPLETE 03/03/81* APPROVED 03/30/81*0

DOCKET NO. PROJECT LOCATION	PROJECT DESCRIPTION	APPLICANT'S NAME/ADDRESS	FIRM'S NAME/ADDRESS	STATUS OF APPLICATION MILESTONE DATES
WATER QUALITY CERT PERMIT APPLICATIONS -----				
RI-0304-14 ATLANTIC ABSECON CITY	CONSTRUCT TIMBER PIER LOT 530 BLOCK B24 WADING THOUFARE	PITUCCI THOMAS ODELINE 2513 S 21 ST BRIGANTINE 19145 NJ	PENNONI ASSOC INC 555 NEW JERSEY AVE ABSECON NJ 08201	RECEIPT-DATE 03/04/81 ACC AS COMPLETE 03/04/81* APPROVED 03/30/81*0
RI-0305-14 HUDSON JERSEY CITY	MAINTENANCE DREDGING LOT F 4YD BLOCK 4 HUDSON RIVER	COLGATE PALMOLIVE CO 105 HUDSON AVE JERSEY CITY 07303 NJ	SIMPSON BROWN & KENLAN INC 119 NORTH AVE W CRANFORD NJ 07016	RECEIPT-DATE 03/04/81 ADD INFO REQUESTED 03/24/81*
RI-0309-14 CAPE MAY WILDWOOD CITY	CONSTRAMP FLOAT MOORING PILES LOT 1 BLOCK 78 OTTEN'S HARBOR	SHOFFLER WILLIAM W PO BOX 51 GREEN CREEK 08219 NJ	ALVIN C HERMAN 7 MECHANIC ST PO BOX 373 CAPE MAY CT HOUSE NJ 08210	RECEIPT-DATE 03/09/81 ADD INFO REQUESTED 03/09/81*
RI-0310-14 CAPE MAY WILDWOOD CITY	CONST FLOAT RAMP MOORING PILES LOT J BLOCK 78 OTTEN'S HARBOR	SHOFFLER W WATTON PO BOX 51 GREEN CREEK 08219 NJ	ALVIN C HERMAN 7 MECHANIC ST PO BOX 373 CAPE MAY CT HOUSE NJ 08210	RECEIPT-DATE 03/10/81 ACC AS COMPLETE 03/10/81*
RI-0311-14 CAPE MAY OCEAN CITY	BULKHEAD RECONSTRUCTION LOT 1137B 1138A 1138B 11389 BLOCK 11G	SCARBOROUGH ROBERT K SUITE 25 BARCLAY PAV RT 70 CHERRY HILL NJ 08034	GERALD E SPEITEL ASSOC HARBOR VILLAGE SQUARE BARGAINTOWN RD 1 NJ 08221	RECEIPT-DATE 03/09/81 ACC AS COMPLETE 03/09/81* APPROVED 03/30/81* C
RI-0313-14 MIDDLESEX PLAINSBORO TWP.	PLAINSBORO BYPASS ROAD LOT 3 & 51 BLOCK 5 UNNAMED TRIBUTARY TO THE MILLSTONE RIVER	TWP OF PLAINSBORO 641 PLAINSBORO RD PLAINSBORO TWP NJ 08536	EDWARDS & KELCEY INC 70 SOUTH ORANGE AVE LIVINGSTON NJ 07039	RECEIPT-DATE 03/10/81 ACC AS COMPLETE 03/10/81* APPROVED 03/30/81*0
RI-0317-14 CAPE MAY AVALON BORO	CONST PIER RAMP FLOAT MOORING PILES LOT 12 BLOCK 42 05 WATERWAY	PRUDENTE ANTHONY V FLORENCE T 804 CRESTVIEW DRIVE SPRINGFIELD PA 19064	ALVIN C HERMAN MECHANIC ST PO BOX 373 CAPE MAY CT HOUSE NJ 08210	RECEIPT-DATE 03/16/81 ACC AS COMPLETE 03/16/81* APPROVED 04/13/81*0
RI-0318-14 CAPE MAY AVALON BORO	RECONSTRUCT EXISTING PIER RAMP FLOAT LOT 11 BLOCK 420 WATERWAY	PRUDENTE ANTHONY V FLORENCE T 804 CRESTVIEW DRIVE SPRINGFIELD PA 19064	ALVIN C HERMAN MECHANIC ST PO BOX 373 CAPE MAY CT HOUSE NJ 08210	RECEIPT-DATE 03/16/81 ACC AS COMPLETE 03/16/81* APPROVED 03/30/81*0

DOCKET NO.	PROJECT DESCRIPTION PROJECT LOCATION	APPLICANT'S NAME/ADDRESS	FIRM'S NAME/ADDRESS	STATUS OF APPLICATION MILESTONE DATES
WATER QUALITY CERT PERMIT APPLICATIONS -----				
81-0319-14	BULKHEAD WHARF REMOVE PIER LOT 1 BLOCK B22 UPPER THOROFARE CAPE MAY LOWER TWP.	THE BORDEN CO BOX F OLD ORCHARD BEACH 04064	ALVIN C HERMAN 7 MECHANIC ST PO BOX 373 CAPE MAY CT HOUSE NJ 08210	RECEIPT-DATE 03/16/81 ACC AS COMPLETE 03/16/81* APPROVED 03/30/81*0
81-0320-14	DREDGING DIKE LOT 12A 19 21 22 BLOCK 1000 STUMP CREEK MIDDLESEX OLD BRIDGE TWP	VIKING MARINA INC STATE HIGHWAY RT 35 LAWRENCE HARBOR 08879	FREDERICK H KURTZ 777 WASHINGTON RD PARLIN NJ 08859	RECEIPT-DATE 03/16/81*
81-0323-14	REPAIR & REHABILITATION ON A 4 ARCH CULVERT UNDER RT33 ROCKY BROOK MERCER HIGHTSTOWN ROPO	NJ DEPT TRANSPORTATION 1035 PARKWAY AVE EWING TWP 08625	SAME NJ	RECEIPT-DATE 03/19/81 ACC AS COMPLETE 03/19/81*
81-0325-14	DISCHARGE OF STORM WATER BARNEGAT BAY OCEAN LONG BEACH TWP.	HALPERIN DAVID & HELEN PO BOX 407 HARVEY CEDERS 08008	WILCOX GRAVATT & HOCUNDA PO BOX 756 FORKED RIVER NJ 08731	RFCEIPT-DATE 03/19/81 ADD INFO REQUESTED 03/24/81* ADD INFO RECEIVED 04/20/81*
81-0326-14	CONSTRUCT BULKHEAD RECESS DUCK BOAT RAMP LOT 27 BLOCK G LAGOON OCEAN LACEY TWP.	REMAMO ANTHONY 467 AMBOY AVE WOODBRIIDGE 07095	SAME NJ	RECEIPT-DATE 03/19/81 ACC AS COMPLETE 03/19/81* APPROVED 04/13/81*0
81-0327-14	PIER PILINGS DECKING LOT 12 3 4 BLOCK E GREAT EGG HARBOR BAY ATLANTIC EGG HARBOR TWP.	POUGH ALTON 3520 N 17TH ST PHIL 19140	SAME PA	RECEIPT-DATE 03/23/81 ACC AS COMPLETE 03/23/81* APPROVED 04/13/81*0
81-0328-14	BULKHEAD FILL DUCK LOT 9 10 BLOCK 1221 E LAGOON TO BARNEGAT BAY UNION SUMMIT CITY	SADOWZKI RICHARD W 209 MOUNTAIN AVE SUMMIT 07901	SAME NJ 215 CONSTITION AVE TOMS RIVER NJ 08703	RECEIPT-DATE 03/28/81 ACC AS COMPLETE 03/28/81* APPROVED 04/13/81* C
81-0329-14	PIER LOT E 1/2 OF 6 & 7 BLOCK 25P BRIGANTINE CITY	FITZWATER F 2431 SUSQUEHANNA RD ROSLYN 19001	PENNONI ASSOC INC 555 NEW JERSEY AVE ARSECON 08201	RECEIPT-DATE 03/23/81 ACC AS COMPLETE 03/23/81*

DOCKET NO. PROJECT LOCATION	PROJECT DESCRIPTION	APPLICANT'S NAME/ADDRESS	FIRM'S NAME/ADDRESS	STATUS OF APPLICATION MILESTONE DATES
WATER QUALITY CERT PERMIT APPLICATIONS -----				
91-0330-14 OCEAN BRICK TWP.	DUALIZATION OF RT 70 RAMPS CULVERTS KETTLE CREEK	NJ DEPT OF TRANSPORTATION 1035 PARKWAY AVE TRENTON NJ 08625	SAME /	RECEIPT-DATE 03/23/81 ACC AS COMPLETE 03/23/81
91-0335-14 OCEAN SEASIDE PARK BORO	BULKHEAD REPLACEMENT LOT 39 BLOCK 64 NORTH HARBOR LAGOON	FARMER GEORGE 242 N ST SEASIDE PK 08752	BIRD CONSTRUCTION INC 635 RT 9 PO BOX 308 BAYVILLE NJ 08721	RECEIPT-DATE 03/25/81 ACC AS COMPLETE 03/25/81 APPROVED 03/30/81 C
91-0337-14 OCEAN BRICK TWP.	CONSTRUCT BULKHEAD LAGOON LOT 11 BLOCK 474 LAGOON	GILLESHEIMER EDWARD 52 COVE RD BAYVILLE NJ 08721	BIRD CONSTRUCTION INC 635 RT 9 PO BOX 308 BAYVILLE NJ 08721	RECEIPT-DATE 03/25/81 ACC AS COMPLETE 03/25/81 APPROVED 03/30/81 C
91-0338-14 OCEAN SEASIDE PARK BORO	BULKHEAD REPLACEMENT LOT40 (39640) BLOCK 65 NORTH HARBOR LAGOON	REDY RICHARD 245 O ST SEASIDE PK 08752	BIRD CONSTRUCTION 635 RT 9 PO BOX 308 BAYVILLE NJ 08721	RECEIPT-DATE 03/25/81 ACC AS COMPLETE 03/25/81 APPROVED 03/30/81 C
91-0339-14 OCEAN SEASIDE PARK BORO	BULKHEAD REPLACEMENT REMOVE DOCK LOT 10 BLOCK 1223 AR LAGOON	JACKSON JOSEPH 29 CARLYLE DR BAYVILLE NJ 08721	BIRD CONSTRUCTION 635 RT 9 PO BOX 2 BAYVILLE NJ 08721	RECEIPT-DATE 03/25/81 ACC AS COMPLETE 03/25/81 APPROVED 03/30/81 C
91-0342-14 SALEM LOWER ALLOWAYS CR.	CONST MUNICIPAL BOAT RAMP DISCHARGE LINES FOR FLOOD PUMPING STATION DISCHARGE LINE STP ALLOWAY CK	LOWER ALLOWAYS CREEK TWP LOCUST ISLAND ROAD SALEM NJ 08079	SKINNER COMPTON FRALINGFR 115 5TH ST SALEM NJ 08079	RECEIPT-DATE 03/24/81 ADD INFO REQUESTED 03/24/81 ADD INFO RECEIVED 03/31/81
91-0343-14 OCEAN SEASIDE PARK BORO	CONSTRUCT BULKHEAD & DOCK LOT 15 16 BLOCK 235 A ARROW COVE LAGOON	BECK RAYMOND 15 CHANNEL RD TOMS RIVER NJ 08753	APPLICANT	RECEIPT-DATE 03/26/81 ACC AS COMPLETE 03/26/81 APPROVED 04/13/81
91-0344-14 OCEAN BRICK TWP.	CONSTRUCT DOCK & PILINGS LOT 344 BLOCK 211 D15 LAGOON	SCHOELLER JANIS DAVID 290 OSBORNE AVE RAY HEAD NJ 08742	APPLICANT	RECEIPT-DATE 03/26/81 ACC AS COMPLETE 03/26/81 APPROVED 04/13/81

DOCKET NO. PROJECT LOCATION	PROJECT DESCRIPTION	APPLICANT'S NAME/ADDRESS	FIRM'S NAME/ADDRESS	STATUS OF APPLICATION MILESTONE DATES
<b>WATER QUALITY CERT PERMIT APPLICATIONS</b>				
RI-0345-14	CONSTRUCT FIXED & FLOATING DUCKS LOT 44 BLOCK CH 91 INSIDE THOROFARE	KRAVITZ JOSEPH 3920 SO BOULEVARD APT A ATLANTIC CITY NJ 08401	PRICE ENGINEERING CO 840 NO MAIN ST PLEASANTVILLE	RECEIPT-DATE 03/05/81 ACC AS COMPLETE 03/26/81*
ATLANTIC ATLANTIC CITY				
RI-0346-14	EXISTING 23000 VOLT OVER HEAD WIRE CROSSING OVER SCOTCH BONNET LOT 10 3 BLOCK 13201 135 02	ATLANTIC CITY ELECTRIC CO 1600 PACIFIC AVE ATLANTIC CITY NJ 08404	SAME	RECEIPT-DATE 03/26/81 ACC AS COMPLETE 03/26/81*
CAPE MAY MIDDLE TWP.				
RI-0401-14	MAINTENANCE DREDGING SHARK RIVER	NEW YORK ARMY CORPS 26 FEDERAL PLAZA NEW YORK NJ 10278	SAME	RECEIPT-DATE 04/02/81 ACC AS COMPLETE 04/02/81*
MONMOUTH BELMAR BORO				
RI-0402-14	MOORING PILES FLOATING DOCK LOT 19 BLOCK 2212 TUNGA HARBOR	PALMERIC ANTHONY 8 SWEETWATER COURT OCEAN CITY NJ 08226	MICHAEL W HYLAND ASSOC 101 E EIGHT ST OCEAN CITY NJ 08226	RECEIPT-DATE 04/02/81 ACC AS COMPLETE 04/02/81*
CAPE MAY OCEAN CITY				
RI-0403-14	PIER MOORING PILES LOT 4 BLOCK 3 BEACH THOROFARE RISLEY'S CHANNEL	LIPKIN EDWARD 1804 RITTENHOUSE SQ PHILA PA 19103	APPLICANT 101 E EIGHTH ST OCEAN CITY NJ 08226	RECEIPT-DATE 04/02/81 ACC AS COMPLETE 04/02/81*
ATLANTIC LONGPORT BORO				
RI-0404-14	BULKHEAD & FILL LOT 3 BLOCK 42 06 3RD AVE WATERWAY	HILL CATHERINE S 4119 MEADOW LANE NEWTOWN SQ PA 19073	APPLICANT	RECEIPT-DATE 04/02/81 ACC AS COMPLETE 04/02/81*
CAPE MAY AVALON BORO				
RI-0406-14	4 MOORING PILES RELOCATE FLOATING DOCK LOT 29 BLOCK 1200 BAYSHORE LAGOON	MICALE ANTHONY J 1121 WINDING DR PO BOX 2580 CHERRY HILL NJ 08034	PENNONI ASSOC INC 555 NEW JERSEY AVE ABSECON NJ 08201	RECEIPT-DATE 04/03/81 ACC AS COMPLETE 04/03/81*
ATLANTIC MARGATE CITY				
RI-0407-14	CONSTRUCT DOCK WITH BREAKWATER LOT 7 BLOCK 44-6 BARNEGAT BAY	MIELE DENNIS 25 SOUTH SHOER DRIVE TOM'S RIVER NJ 08753	RUSH & HENKEL PA 805 MAIN ST TOM'S RIVER NJ 08753	RECEIPT-DATE 04/06/81 ACC AS COMPLETE 04/06/81*
OCEAN DOVER TWP.				

DOCKET NO.	PROJECT DESCRIPTION PROJECT LOCATION	APPLICANT'S NAME/ADDRESS	FIRM'S NAME/ADDRESS	STATUS OF APPLICATION MILESTONE DATES
WATER QUALITY CERT PERMIT APPLICATIONS -----				
81-0408-14	CONST NEW DECK REPAIR EXISTING DOCK & BULKHEAD LAGOON CAPE MAY SEA ISLE CITY	GIAMPIETRO GLORIA 4202 CENTRAL AVE SEA ISLE CITY 08243	NJ WALKER PRERTI TOTTEHOLMES 801 ASBURY AVE OCEAN CITY 08226	RECEIPT-DATE ACC AS COMPLETE 04/06/81 04/06/81*
81-0409-14	2 PIERS BULKHEAD LOT 1 BLOCK 144 146 148 & 150 BARNEGAT BAY OCEAN LONG BEACH TWP.	HERSKOVITZ RICHARD 263 SOUTH 21ST STREET PHILA 10103	PA HORN TYSON & ASSOC INC 2207 LONG BEACH BLVD LONG BEACH TWP 08008	RECEIPT-DATE ACC AS COMPLETE 04/06/81 04/06/81*
81-0411-14	BULKHEAD FILL LOT 1 BLOCK 1219A10 LAGOON OCEAN BERKELEY TWP.	IARIA JOSEPH P 295 RT 9 PO BOX 6 BAYVILLE 08721	NJ NORTHWEST ENG INC 1044 LACEY RD FORKED RIVER 08731	RECEIPT-DATE ACC AS COMPLETE 04/06/81 04/06/81*
81-0412-14	BULKHEAD FILL LOT 2 BLOCK 1219A10 LAGOON OCEAN BERKELEY TWP.	IARIA JOSEPH P 295 RT 9 PO BOX 6 BERKELEY 08721	NJ NORTHWEST ENG INC 1044 LACEY RD FORKED RIVER 08731	RECEIPT-DATE ACC AS COMPLETE 04/06/81 04/06/81*
81-0415-14	BULKHEAD REPLACEMENT LOT 4 BLOCK 1555-6 OCEAN BERKELEY TWP.	KRAUS DOLONES 208 FERNWOOD DRIVE BAYVILLE 08721	NJ BIRD CONSTRUCTION 635 RT 9 PO BOX 306 BAYVILLE 08721	RECEIPT-DATE ACC AS COMPLETE 04/07/81 04/07/81*
81-0417-14	BULKHEAD & DOCK LOT 278 BLOCK 1108 56 LAGOON OCEAN DOVER TWP.	SPAGNA ALFRED 713 PHOEBE ST TOMS RIVER 08753	NJ ALFRED L MESSANO & ASSOC 12 ROBBINS PARKWAY TOMS RIVER 08752	RECEIPT-DATE ACC AS COMPLETE 04/09/81 04/09/81*
81-0419-14	BULKHEAD & FILL LOTS 1-1 1-2 1-3 1-4 1-5 1-6 & 1-A BLOCK 68 BRANCHPORT CREEK MONMOUTH OCEANPORT BORO	ADAMS FLORENCE F 489 SYCAMORE AVE SHREWSBURY 07701	NJ SAME 45 OAK TERRACE HOWELL 07731	RECEIPT-DATE ACC AS COMPLETE 04/14/81 04/14/81*
81-0420-14	DREDGING LOT 354 7-9 1A 2-4 2-4 BLOCK PD 81 82 83 HUDSON RIVER BERGEN EDGEWATER BORO	HILLS BROS COFFEE INC 2 HARRISON ST SAN FRANCISCO 94105	CA SAME 535 RIVER RD EDGEWATER 07020	RECEIPT-DATE ACC AS COMPLETE 04/14/81 04/14/81*

DOCKET NO. PROJECT LOCATION	PROJECT DESCRIPTION	APPLICANT'S NAME/ADDRESS	FIRM'S NAME/ADDRESS	STATUS OF APPLICATION MILESTONE DATES
WATER QUALITY CERT PERMIT APPLICATIONS -----				
RI-0429-14 CAPE MAY OCEAN CITY	FLOATING DOCK 6 MOORING PILES LOT 4 BLOCK 2214 COYMAN HARBOR	KOLBE AUGUST 3033 PARKWAY BLVD ALLENTOWN 18104 PA	G&G DOCK REPAIRS 37 SEAVIEW AVE MARMORA 08223 NJ	RECEIPT-DATE ACC AS COMPLETE 04/21/81 04/21/81*
RI-0430-14 OCEAN DOVER TWP.	BULKHEAD DOCK FILL LOT 8 BLOCK 1108-19 LAGOON	SPAGNA ALFRED 713 PHOEBE ST TOMS RIVER 08753 NJ	ALFRED L MESSANO & ASSOC 12 ROBBINS PARKWAY TOMS RIVER 08753 NJ	RECEIPT-DATE ACC AS COMPLETE 04/21/81 04/21/81*
RI-0433-14 CAPE MAY OCEAN CITY	FLOATING DOCK RAMP 2 MOORING PILINGS LOT 20 BLOCK 2212	WILKINSON RICHARD T 141 ROBODA BLVD ROYERSFORD 19468 PA BRIGANTINE	RALPH J CAPOZZOLI ASSOC 3840 BRIGANTINE BLVD NJ 08203	RECEIPT-DATE 04/23/81*
RI-0434-14 CAPE MAY OCEAN CITY	FLOATING DOCK RAMP 6 MOORING PILINGS LOT 4 BLOCK 2110 MARCUS HARBOR	WILLIS EVA M 2204 BAY AVE OCEAN CITY 08226 NJ	RALPH J CAPOZZOLI ASSOC 3840 BRIGANTINE BLVD BRIGANTINE 08202 NJ	RECEIPT-DATE 04/24/81*
RI-0437-14 CAPE MAY AVALON BORO	REPAIR ON EXISTING BULKHEAD LOT 67 01 BLOCK 13 05 PA HARBOR CORNELL HARBOR	CEDAR ISLAND PARTNERSHIP III 2688 DUNE DRIVE AVALON 08202 NJ	LEAHY REALTY INC 2688 DUNE DRIVE AVALON 08202 NJ	RECEIPT-DATE 04/28/81*
RI-0438-14 CUMBERLAND MAURICE RIVER TWP.	FISHING PIER LOT 70 BLOCK 108 DELAWARE BAY	MOZIER ROBERT H RD 2 RT 38 MT LAUREL 08054 NJ	APPLICANT	RECEIPT-DATE ACC AS COMPLETE 04/29/81* 04/29/81*
RI-0502-14 OCEAN DOVER TWP.	BULKHEAD DOCK FILL LOT 7 & LOT 8 BLOCK 478 LAGOON	LASQUADRO ANTHONY 1 PINE DRIVE STONY POINT 10980 NJ	THOMAS SCHIQUITZKI 215 CONSTITUTION AVE TOMS RIVER 08753 NJ	RECEIPT-DATE ACC AS COMPLETE 05/02/81* 05/02/81*
RI-0503-14 OCEAN DOVER TWP.	BULKHEAD DOCK FILL LOT 1 BLOCK 944 LAGOON	PARIS AUSTIN 18 SHREWSBURY DRIVE LIVINGSTON 07039 NJ	THOMAS SCHIQUITZKI 215 CONSTITUTION AVE TOMS RIVER 08753 NJ	RECEIPT-DATE ACC AS COMPLETE 05/04/81* 05/04/81*

NEW JERSEY DEPARTMENT OF TRANSPORTATION  
HIGHWAY PERMITS PROGRAM

On or about the 15th of each month, the DEP Bulletin will include information concerning the current disposition of all permit applications submitted to the Department of Transportation. The interim status column reflects the status of each application as of the last business day of the preceding month.

In order to be more responsive to the needs of applicants and to facilitate processing applications in a timely manner, the State has been divided into four (4) Regions. Based on the geographical location of the proposed work requiring a permit, a permit application should be obtained from, and the completed application submitted to the appropriate Regional Office listed below:

REGION I - Sussex, Warren, Morris, Hunterdon, Somerset

Morris Gepner - Regional Maintenance Engineer  
N.J.D.O.T.  
Route 206, P.O. Box 55  
Netcong, N.J. 07857  
Telephone: 201 - 347 - 4415

REGION II - Passaic, Bergen, Essex, Hudson, Union

Nicholas Cifelli - Regional Maintenance Engineer  
N.J.D.O.T.  
Routes 1 & 9, 21 & 22  
Newark, N.J. 07714  
Telephone: 201 - 648 - 2278

REGION III - Mercer, Middlesex, Monmouth, Burlington, Ocean

Raymond Weber - Regional Maintenance Engineer  
N.J.D.O.T.  
Box 272-B, Route 9  
Howell, N.J. 07731  
Telephone: 201 - 431 - 4500

REGION IV - Camden, Gloucester, Atlantic, Salem, Cumberland, Cape May

Oliver Kee - Regional Maintenance Engineer  
N.J.D.O.T.  
Route 70 & N.J. Turnpike  
Cherry Hill, N.J. 08034  
Telephone: 609 - 428 - 6550

STATE OF NEW JERSEY DEPARTMENT OF ENVIRONMENTAL PROTECTION  
 PENDING APPLICATIONS  
 SUMMARIZED BY TYPE AND NUMBER OF DAYS  
 PENDING AS OF 5/ 8/81

PAGE F-1

PERMIT TYPE	UNACCEPTED/INCOMPLETE	1 - 30 DAYS	31 - 60 DAYS	61 - 90 DAYS	OVER 90 DAYS
RIPARIAN	515	26	20	16	0
WETLANDS	21	10	0	1	0
STREAM ENCROACH.	0	28	27	18	0
SEWER EXTENSIONS	0	30	19	7	0
CAFRA	---2	---29	---6	---1	---0
	545	123	72	43	0

STATE OF NEW JERSEY DEPARTMENT OF ENVIRONMENTAL PROTECTION  
 LISTING OF PENDING APPLICATIONS FOR CONSTRUCTION PERMITS  
 RECEIVED AFTER 12/22/75

PENDING FOR 60 DAYS OR MORE AS OF 5/ 8/81

DUCKET NO.	BASIN	PERMIT TYPE	MILESTONE COMPLETED		APPLICANT	DAYS PENDING	DECISION DUE BY
			DATE	MILESTONE			
81-2616-4	DELAWARE	SEWER EXTENSIONS	02/09/81	BEGIN 90 DAY CALENDAR	TRANSPORT OF NEW JERSEY	89	05/09/81
81-9562-3		STREAM ENCROACH.	05/10/81	30 DAY EXTENSION GRANTED	FRANK DE TOLIO	87	05/11/81
81-0185-2		WETLANDS	02/11/81	BEGIN 90 DAY CALENDAR	PETER AND LILLIAN SIINO	87	05/11/81
81-0050-1		RIPARIAN	02/11/81	BEGIN 90 DAY CALENDAR	SIINO PETER & LILLIAM	87	05/11/81
80-0382-5		CAFRA	02/13/81	ADDTL DATA ACC.-POST ACCEPTANCE	HARRAHS, HILTON, MGM	85	05/13/81
81-2635-4	PASSAIC	SEWER EXTENSIONS	02/18/81	BEGIN 90 DAY CALENDAR	PALISADES PLAZA LTD	80	05/19/81
81-9597-3		STREAM ENCROACH.	02/19/81	BEGIN 90 DAY CALENDAR	MORSES CREEK FLOOD CONTROL	79	05/19/81
81-0073-1		RIPARIAN	02/19/81	BEGIN 90 DAY CALENDAR	HARBOR MARINE INC	79	05/19/81
81-2628-4	NO CODE	SEWER EXTENSIONS	02/20/81	BEGIN 90 DAY CALENDAR	SOUTH BRUNSWICK TWP	78	05/20/81
81-0079-1		RIPARIAN	02/23/81	BEGIN 90 DAY CALENDAR	BAYVIEW SHORES-SCHAFFERE CY	75	05/23/81
81-0096-1		RIPARIAN	02/23/81	BEGIN 90 DAY CALENDAR	KUENEMUND FRANK	75	05/23/81
81-0082-1		RIPARIAN	02/23/81	BEGIN 90 DAY CALENDAR	HIRSCH FRANK	75	05/23/81
81-0071-1		RIPARIAN	02/23/81	BEGIN 90 DAY CALENDAR	KOVACS LOUIS	75	05/23/81
81-0106-1		RIPARIAN	02/23/81	BEGIN 90 DAY CALENDAR	INLET BASIN INC	75	05/23/81
80-2525-4	PASSAIC	SEWER EXTENSIONS	02/24/81	BEGIN 90 DAY CALENDAR	DENVILLE TOWNSHIP	74	05/24/81
81-9602-3		STREAM ENCROACH.	02/24/81	BEGIN 90 DAY CALENDAR	DENNEH S PIZZO SR	74	05/24/81
81-9600-3		STREAM ENCROACH.	02/24/81	BEGIN 90 DAY CALENDAR	FOSTER WHEELER ENERGY CORP	74	05/24/81
81-9584-3		STREAM ENCROACH.	04/21/81	30 DAY EXTENSION GRANTED	EDFORD LAKES COLONY CLUB	73	05/25/81
81-0091-1		RIPARIAN	02/25/81	BEGIN 90 DAY CALENDAR	SHOFFLER WALTON	73	05/25/81
81-9606-3		STREAM ENCROACH.	02/26/81	BEGIN 90 DAY CALENDAR	BERGEN COUNTY	72	05/26/81
81-9604-3		STREAM ENCROACH.	03/31/81	PROJECT REVIEW COMPLETE	UNION COUNTY	72	05/26/81
81-9603-3		STREAM ENCROACH.	02/26/81	BEGIN 90 DAY CALENDAR	GREEN TREE CORP	72	05/26/81
81-0087-1		RIPARIAN	02/27/81	BEGIN 90 DAY CALENDAR	LANGE RIDGER F W	71	05/27/81
81-0078-1		RIPARIAN	02/27/81	BEGIN 90 DAY CALENDAR	HILL JOHN	71	05/27/81
81-0038-1		RIPARIAN	02/27/81	BEGIN 90 DAY CALENDAR	BORKOWSKI JAMES	71	05/27/81
81-9607-3		STREAM ENCROACH.	03/02/81	BEGIN 90 DAY CALENDAR	EDWARD , M O'NEIL III	69	05/30/81
81-9610-3		STREAM ENCROACH.	03/02/81	BEGIN 90 DAY CALENDAR	BELLEMEAD DEVELOPMENT CORP	68	05/30/81
81-9609-3		STREAM ENCROACH.	03/02/81	BEGIN 90 DAY CALENDAR	LEWIS C BOWERS & SONS, INC	68	05/30/81
81-9508-3		STREAM ENCROACH.	03/02/81	BEGIN 90 DAY CALENDAR	CRAIG & ELLEN STEM	68	05/30/81
81-2643-4	RARITAN	SEWER EXTENSIONS	03/02/81	BEGIN 90 DAY CALENDAR	OLD BRIDGE SEW AUTH	68	05/30/81
81-9612-3		STREAM ENCROACH.	03/03/81	BEGIN 90 DAY CALENDAR	HAWTHORNE HILLS	67	05/31/81
81-2641-4	RARITAN	SEWER EXTENSIONS	03/03/81	BEGIN 90 DAY CALENDAR	FRANKLIN TOWNSHIP SA	67	05/31/81
81-0092-1		RIPARIAN	03/03/81	BEGIN 90 DAY CALENDAR	MACULAITIS JOSEPH P	67	05/31/81
81-0125-1		RIPARIAN	03/05/81	BEGIN 90 DAY CALENDAR	LIPKIN EDWARD	65	06/02/81
81-2610-4	RARITAN	SEWER EXTENSIONS	03/05/81	BEGIN 90 DAY CALENDAR	MONROE TWP MUA	55	06/02/81
81-9620-3		STREAM ENCROACH.	03/05/81	BEGIN 90 DAY CALENDAR	LOUIS & ESTHER METZGER	65	06/02/81
81-9618-3		STREAM ENCROACH.	03/05/81	BEGIN 90 DAY CALENDAR	DORELAND INDUSTRIAL COMPLEX	65	06/02/81
81-9617-3		STREAM ENCROACH.	03/05/81	BEGIN 90 DAY CALENDAR	HARTZ DECADE LIMITED PART	65	06/02/81
81-9616-3		STREAM ENCROACH.	03/05/81	BEGIN 90 DAY CALENDAR	CONNELL, RICE & SUGAR, CO	65	06/02/81
81-9615-3		STREAM ENCROACH.	03/05/81	BEGIN 90 DAY CALENDAR	ARENA & YOLMAN ENTERPRISES	65	06/02/81
81-0080-1		RIPARIAN	03/06/81	BEGIN 90 DAY CALENDAR	RABINSKI LESZEK	64	06/03/81
81-0095-1		RIPARIAN	03/09/81	BEGIN 90 DAY CALENDAR	MANGANO JOSEPH	61	06/06/81

STATE OF NEW JERSEY DEPARTMENT OF ENVIRONMENTAL PROTECTION  
LISTING OF PENDING APPLICATIONS FOR CONSTRUCTION PERMITS  
RECEIVED AFTER 12/22/75

PAGE 2

PENDING FOR 60 DAYS OR MORE AS OF 5/ 8/81

DOCKET NO.	BASIN	PERMIT TYPE	MILESTONE COMPLETED		APPLICANT	DAYS PENDING	DECISION DUE BY
			DATE	MILESTONE			
81-0043-1		RIPARTAN	03/09/81	BEGIN 90 DAY CALENDAR	EDWARDS EDWARD K	51	06/06/81

## GLOSSARY OF ABBREVIATED TERMS

RIP.....	WATERFRONT DEVELOPMENT
S. ENCR.....	STREAM ENCROACHMENT
SEW. EXT.....	SEWER EXTENSION
SEWER X-ING.....	WATER MAIN CROSSING
P S.....	PUMP STATION
F M.....	FORCE STATION
S T P.....	SEWERAGE TREATMENT PLANT
COLL. SYS.....	COLLECTION SYSTEM
ADD. & ALT.....	ADDITIONS AND ALTERATIONS
TYPE A WETLANDS PERMIT (ABBREVIATED PROCEDURE FOR MINOR PROJECTS)	
TYPE B WETLANDS PERMIT (FULL PROCEDURE)	
CAFRA.....	COASTAL AREA FACILITY REVIEW ACT
EIS.....	ENVIRONMENTAL IMPACT STATEMENT
NEPA.....	NATIONAL ENVIRONMENTAL POLICY ACT
E O NO. 53.....	EXECUTIVE ORDER NO. 53
FIRM.....	REPRESENTATIVE FOR THE APPLICANT

## APPROVAL AND DENIAL CODES USED IN COMPUTER PRINTOUT SHEETS

DENIAL CODES:	W – INDICATES DENIAL WITH PREJUDICE.
	W/O – INDICATES DENIAL WITHOUT PREJUDICE.
APPROVAL CODES:	C – INDICATES CONDITIONS OTHER THAN STANDARD ARE APPLICABLE.
	P – INDICATES PENALTIES ARE OR WILL BE APPLIED AGAINST THE APPLICANT.
	O – INDICATES OTHER PERMITS ARE REQUIRED.
	* – INDICATES A DATE CHANGE FROM A PREVIOUS DEP BULLETIN.

**New Jersey Department of Environmental Protection  
Documents Distribution Center  
CN 402  
Trenton, N.J. 08625**

**To Report Abuses of the Environment  
Call DEP HOTLINE (609) 292-7172  
(24 hours a day)**

You Are Viewing an Archived Copy from the New Jersey State Library