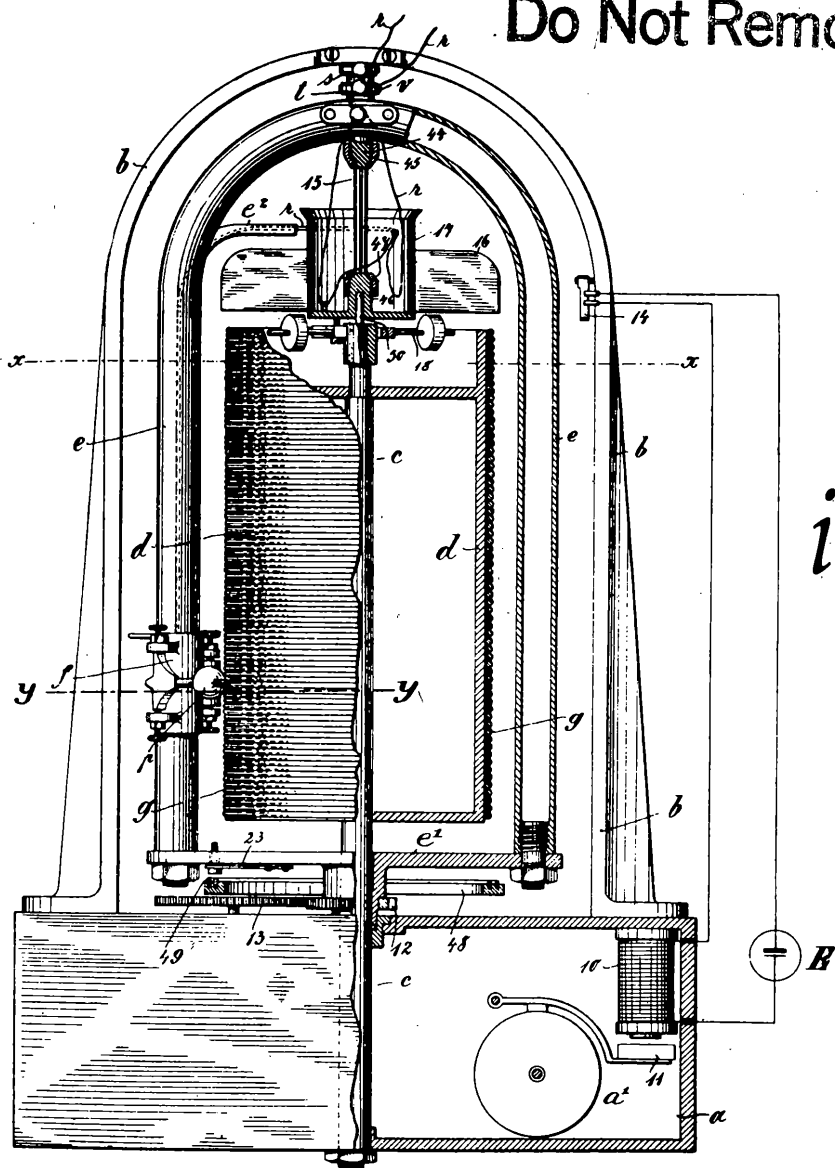


DEPOSITORY COPY

Do Not Remove From Library



*Oral History
in New Jersey:
A Directory,
1979*

*Compiled by Ronald J. Grele
Director, Oral History Program*

New Jersey Historical Commission

974.90
H673
1979 b
copy 1

COVER ILLUSTRATION:
Patent design of the first electromagnetic
recording device, by Valdemar Poulsen of
Copenhagen, Denmark, who built it in 1898.



Foreword

Preliminary Catalog of Oral History Projects in New Jersey

This preliminary list of oral history projects in New Jersey is the first of a planned series of catalogs and indexes to oral history materials now available to scholars. It is designed to facilitate the location and use of taped interviews for those interested in various aspects of the history of New Jersey.

The catalog, by no means a complete list of all material now available, is a preliminary list based on an initial survey sent to colleges, historical societies, community groups, public libraries and other repositories. From time to time we will update and revise this list to encompass other collections not noted and to provide more detailed descriptions. To this end the New Jersey Historical Commission solicits information on other projects and programs, especially information on tapes and transcripts of interviews conducted by scholars or community historians with no particular institutional affiliation.

We wish to thank all of our friends and colleagues who participated in the survey and aided us in this project, in particular Peggy K. Lewis, editor, Nancy H. Dallaire, editorial assistant, and Frances Smith who typed the manuscript with efficiency and good cheer.

Ronald J. Grele
Director
Oral History Program
Trenton, New Jersey
February 1979

Oral History in New Jersey: A Directory, 1979

BOUND BROOK

Memorial Library
402 East High Street
Bound Brook 08805

Aileen Hwang, Director

Ten interviews, approximately 15 hours. Transcribed, 398 pp., no index. Open under supervision during library hours: Mon. -Fri., 10-9; Sat., 10-6.

The collection consists of interviews conducted with Italian Americans of Bound Brook as part of Ms. Eda Franzetti's senior honor thesis for graduation from the College of Saint Elizabeth. Interviews cover almost every aspect of the Italian-American experience. Ms. Franzetti has also made a slide presentation based on the interviews. For information about the presentation contact Ms. Franzetti at 750 Watchung Road, Bound Brook 08805.

CAMDEN

Camden County Historical Society
Park Boulevard and Euclid Avenue
Camden 08103

Margaret Weatherly, Director

Six interviews, 12 hours of tape. No transcripts, no index. Open during society hours: Mon. -Thurs., 12:30-4:30; Sun., 2-4:30.

The interviews focus on local history and

in particular ethnic history. For information on oral histories contact Ann Pearl.

CLARK

Clark Public Library
303 Westfield Avenue
Clark 07066

Grace T. O'Connor, Director

Thirteen interviews, 7 hours, one hour videotape. No transcripts, no index. Open during library hours: Mon. -Fri., 10-9; Sat., 9-5.

The collection resulted from an oral history project conducted by the Arthur L. Johnson Regional High School Junior Historical Society. It consists of interviews with senior citizens and civic leaders of Clark and focuses on the history of Clark. A listing of those interviewed is available from the library.

CLIFTON

Daughters of Miriam Home for the Aged
155 Hazel Street
Clifton 07015

Max Greenberg, Director, Social Services Department

Approximately 20 hours of taped discussions. No transcripts, no index.

Recordings consist of seminars, lectures

and informal discussions on the Jewish experience in America and Europe. They include reminiscences of the Holocaust experience, the Lower East Side, American labor movements, anti-Semitism, migration from Europe, Jewish settlement in Israel, and Jewish religious life and traditions. For information on use of tapes, contact Mr. Greenberg.

CLIFTON

Clifton Public Library
292 Piaget Avenue
Clifton 07011

Tom Sullivan, Rudy Hudak and John Super,
Project Directors

A sizable collection of memoirs of the history of Clifton. No information available on transcription or indexing. Open to interested researchers by appointment.

This project was a cooperative Bicentennial effort of the local schools, newsmen, and the library. Topics include Botany Village, employment, the Great Influenza Epidemic, World War I, city government and the industrial growth of Clifton. Information on audio and video programs can be obtained through the library's Film Department.

CRANBURY

Cranbury Historical and Preservation Society, Inc.
North Main Street, RD 2
Cranbury 08512

Elizabeth Wagner, Director of Research
Ruth Walsh, Interviewer

Ten interviews. Transcribed, no index.

The society also has untranscribed tapes of its annual and special meetings on deposit. The collection is open to interested scholars on Saturday and Sunday from 2:00-5:00 p.m., or by appointment.

Mrs. Walsh conducted the interviews as part of the research for her book, Cranbury, Past and Present. They consist, for the most part, of personal reminiscences, and they also contain descriptions of various Cranbury business enterprises and personalities. A listing of interviews is available from the Society.

CRANFORD

Cranford Historical Society
3 Woods Hole Road
Cranford 07016

Stephan Emelin, President
Edwin Durand, Coordinator of Oral History

Seventy interviews, 3500 hours of tape. No transcripts, indexed. All materials are on deposit at the Cranford Public Library. Hours: Mon.-Thurs., 9-9; Fri., Sat., 9-5. The interview topics cover significant persons, places and events in Cranford history.

FAIR LAWN

Radburn Association
29-20 Fair Lawn Avenue
Fair Lawn 07410

Ronald Gatti, Manager
Nancy J. Moreland, Interviewer

Thirty interviews, some transcribed and indexed. Open to scholars on completion of project.

Autobiographical memoirs of the founding and early history of Radburn.

FLEMINGTON

Hunterdon County Historical Society
Main Street
Flemington 08822

Richard F. Hixson, Interviewer

Four interviews. No transcripts, no index. Open on completion of project.

Funded by the Hunterdon County Cultural and Heritage Commission, this project will focus on the agricultural history of Hunterdon County and the County Agricultural Board.

FORT LEE

Fort Lee Public Library
20 Main Street
Fort Lee 07024

Michael Connell, Director
Rita Altomara, Oral History

Nine interviews, 5½ hours. No transcripts, index. All videotaped. Available for viewing during library hours: Mon.-Thurs., 10-9; Fri., Sat., 10-5.

Interviews are being conducted with local residents on their memories of the motion picture industry when it was located in Fort Lee.

HACKETTSTOWN

Hackettstown Historical Society Museum
106 Church Street
Hackettstown 07840

Raymond Lemasters, President
Ruth E. Scarborough, Oral History Coordinator

Twenty interviews, 60 hours. Transcription in progress, 40 pp. to date, indexed. Open during museum hours: Tues.-Fri., 1-5; Sat., 9-12; Thurs., Fri., 7-9.

Interviews cover the history of Hackettstown (events, buildings, streets, houses.)

HAMBURG

Hardyston Heritage Society, Inc.
RD 1, Box 599
Hamburg 07419

Mrs. Helen Wurst, President
Mrs. Carrie Papa, Interviewer

Twenty-six interviews, 70 hours, 50 per cent transcribed, edited and indexed. Open by appointment.

An oral history of the Old Monroe Schoolhouse, consisting of the reminiscences of former students and teachers. The oral histories were conducted as part of a planned living museum at the one-room schoolhouse.

HIGHLAND PARK

Highland Park Public Library
26 North Sixth Avenue
Highland Park 08904

Eunice Marowitz, Director

Six interviews, 10 hours. No transcripts, no index. Interviews annotated. Open for use in library during library hours: Mon.-Thurs., 9-9; Fri.-Sat., 9-5. Duplicated cassettes may be borrowed.

Interviews are biographical reminiscences of longtime Highland Park residents, conducted by a Rutgers University Ph. D. candidate employed by the library.

LEONARDO

The Preservationist Inc.
57 Concord Avenue
Leonardo 07737

S. Travers and Gertrude Neidlinger

Six interviews. Transcribed. Open by appointment. College, university, grade and high school projects may retape. Collection also includes several "Tours by Tapes" of various Middletown landmarks and significant residences.

Topics include Middletown's ghosts, government and the personal experiences of area residents.

LINCROFT

Brookdale Community College
County College of Monmouth
Newman Springs Road
Lincroft 07738

Martha Thompson, Director
Learning Resources Center

Richard Sorrell
History Department

Fifty-one interviews. No transcripts, no index. Learning packets available.

Collection focuses on immigration and ethnic history. Interviews held jointly by Learning Center and History Department were conducted by Brookdale students. The New Jersey Historical Commission

holds another 25 interviews about experiences in the Depression

Community Services Division

Norma Klein, Dean
Peggy Hanisch, Memory Bank Project,
Director.

Over 200 interviews. Some transcribed, some indexed.

Interviews conducted under a CETA grant cover a wide variety of topics but most center on Monmouth County. All are available to scholars through the Community Services Division.

LIVINGSTON

Free Public Library
Memorial Park
Livingston 07093

Mrs. Ruth L. Rockwood, Director
Wanda Spohn, Interviewer

Eleven interviews, 8-10 hours. 118 pages transcribed, indexed. Open during library hours or by appointment. Mon., Wed., Thurs., 10-9; Tues., Fri., 10-6; Sat., 10-5.

Interviews focus on the local history of Livingston.

LONG BRANCH

Project USE (Urban Suburban Environments)
191 Bath Avenue
Long Branch 07740

Philip M. Costello, Director

Fifty interviews, 150 hours. Approximately

30 per cent transcribed. Open by appointment.

This project, modeled after the Foxfire Project, consists of tales, folklore and local history collected by teenage interviewers in and around the New Jersey shore and the Pine Barrens. A similar project is planned in Newark. The project publishes a periodical journal, Armada, several issues of which are available.

MAHWAH

Ramapo College of New Jersey
505 Ramapo Valley Road
Mahwah 07430

Professor Philip J. McLewin, School of
Social Relations

Several tapes on immigrant life in Passaic County and a collection of interviews on the Paterson silk strike of 1913. A slide presentation based on the interviews is also available.

MADISON

Madison Historical Society
41 East Lane
Madison 07940

Mrs. A. P. Smith, President
Mrs. J. H. Pickin, Oral History Coordinator

Six or more interviews, 6 hours of tape. No transcripts, no index. Open to researchers by appointment during library hours: Mon., Tues., Thurs., 9-9; Wed., Fri., 9-6; Sat., 9-5.

Topics include the memoirs of longtime Madison residents and recordings of his-

torical programs presented by the library.

MATAWAN

Aberdeen-Matawan Public Library
165 Main Street
Matawan 07747

Dolores McKeough, Director

Four interviews, 2 hours. No transcripts, no index. Outlines of topics discussed available. Open for use by appointment.

The project consists of interviews with persons connected with the library.

METUCHEN

Metuchen Public Library
480 Middlesex Avenue
Metuchen 08840

Leola Symonds, Director
Oral Historian, Ruth Terwilliger

Thirty six interviews, 36 hours. Twelve interviews organized as Kodak Caramate presentations with slide viewer and cassette player. No transcripts, but all interviews are outlined. Index in progress. Collection open to researchers by appointment.

Sponsored by the library, the Metuchen Historical Commission and the Metuchen Regional Historical Society, the collection is focused on the history of Metuchen. The caramate presentations, a series of carefully-coordinated visual and oral documents, are available to interested groups.

MIDDLESEX

Middlesex Public Library
Mountain Avenue
Middlesex 08846

Flora S. Ingalls, Director
Joan MacKinnon, Assistant Director

Twenty interviews, 24 hours. Transcription and index planned. Open during library hours: Mon., Wed., Thurs., 10-9; Tues., 12-9; Fri., 10-6; Sat., 10-5.

These interviews, attempting to document the history of Middlesex from its incorporation in 1913, are being conducted with longtime Middlesex residents.

NEWARK

Newark Public Library
New Jersey Reference Division
5 Washington Street
Newark 07101

Charles F. Cummings, New Jersey
Reference Division

Ten interviews, 10 hours. Transcribed, no index. Open for use during division hours. Mon., Wed., Thurs., 9-9; Tues., Fri., 9-6; Sat., 9-5.

Notable Newark residents interviewed. Topics include Newark NAACP, social life in Newark at the turn of the century, civil rights in New Jersey, Camp Merritt, the Edison Laboratories and Newark Airport.

NEWARK

The New Jersey Historical Society

230 Broadway
Newark 07104

Dr. Clifford L. Lord, Director

Library Division: Dr. Robert C. Morris,
Librarian

Three interviews, 4-5 hours. No transcripts. The collection includes interviews with Elton Fox, black author. The division has also begun interviews with Bishop Leland Stark and John Longo. Open to researchers.

Afro-American Committee: Mrs. Vera McMillon, Chairperson; Howard Guttman, Liaison.

The Afro-American Committee has on file a series of tapes of its meetings and interviews with members. It plans a major project on the black experience in New Jersey.

NEW BRUNSWICK

Jewish Historical Society of Raritan Valley
1050 George Street
New Brunswick 08903

Mrs. Ruth M. Patt, President

The society plans a project on Jewish life and personalities in the Raritan Valley for spring 1979.

NEW BRUNSWICK

Middlesex County Cultural and Heritage
Commission

841 Georges Road
New Brunswick 08903

Jacqueline Rubel, Director
Jacqueline Bonomo, Director, Oral History Project

Six interviews, 10 hours. Some transcripts, no index. Available by appointment.

Topics include the life experiences of leading figures in the New Brunswick area, social life in New Brunswick c. 1900, the black community during World War II, and New Brunswick artists.

NEW BRUNSWICK

Rutgers University
Alexander Library
University Archives
New Brunswick 08903

William Miller, Archivist

Eight interviews, 12 tapes, 20 hours. No transcripts, no index. Open Mon.-Fri., 9-5.

The major portion of the collection consists of interviews with Rutgers administrators and graduates, three of them with Mason Gross, former president of Rutgers. The archives also holds tapes and films of Rutgers events.

NEWTON

Sussex County Historical Society
82 Main Street
Newton 07860

Mr. Clifford Ott, Director
Mrs. Carrie Papa, Interviewer

Seventy-six interviews, 110-120 hours, 10 per cent transcribed (120 pp.). No index, but one is planned. Open by appointment. Photographs and other historical data supplement the collection.

The project, titled "Bicentennial Voices," is an oral survey of Sussex County residents active in the Bicentennial celebration. It is an attempt to gather an "overall view of the character, ethics, and cultural attitudes of grassroots Americans during the Bicentennial year." The Bicentennial Times Commemorative Reprints of the American Revolutionary Bicentennial Administration described the project further.

NEW YORK CITY

The Oral History of the American Left
Tamiment Library
New York University
New York, New York 10003

Jon Bloom, Interviewer

This very large collection will eventually include up to ten interviews with various New Jersey residents who have led active careers in one or more aspects of the Left in American life. Available to researchers during library hours: Mon.-Fri., 9-5.

NEW YORK CITY

YIVO Institute for Jewish Research, Inc.
Oral American Jewish History
1048 Fifth Avenue
New York, New York 10028

Joshua A. Fishman, Director

The Farmingdale collection, housed at YIVO, contains tapes of 116 interviews

Gertrude Dubrovsky conducted with Jewish farmers in Farmingdale.

PATERSON

City of Paterson
Division of Economic Development
100 Hamilton Plaza
Paterson 07505

Jack R. Stokvis, Director

The division plans a project on Paterson and the Great Falls Historic District that will focus on industrial development.

PATERSON

Paterson Free Public Library
250 Broadway
Paterson 07501

Dr. Helen Kehoe, Supervisor
Local History and Archives Department

Six tapes, six hours. No transcripts, no index. Open during library hours. Mon., Fri., 9-9; Tues., Wed., 9-8; Thurs., 9-6; Sat., 9-5.

Tapes consist of conversations with senior citizens.

PLAINFIELD

Plainfield Public Library
Eighth Street and Park Avenue
Plainfield 07060

L. A. Moore, Audio Visual Department

Thirty-five to 40 interviews and roundtable sessions with senior citizens.
Twenty-nine hours of tape. Index, no

transcripts. Open to researchers during library hours: Mon. -Fri., 9-9; Sat., 9-5.

The tape collection, "Plainfield Remembers," consists of both interviews and roundtable discussions collected by or donated to the Senior Citizens Council of Plainfield and, in turn, donated to the library during the Bicentennial. Topics include many aspects of life in Plainfield from the turn of the century to today. Several tapes are the recordings of discussions between Rutgers University historians and senior citizens of Richmond Towers, Senior Citizen's Residency.

PLEASANTVILLE

Atlantic County Historical Society
1106 South Main Street
Pleasantville 08232

Florence D. Scull, Project Director

Nine interviews, 8 hours of tape. No transcripts, no index. Open during society hours: Wed. -Sat., 10-12, 1-4.

Collected by community volunteers and society staff, these interviews are autobiographical accounts of places and events in the history of Atlantic County. Topics include shipbuilding, farming, papermaking, and memories of one-room schools.

PRINCETON

Princeton History Project
158 Nassau Street
Princeton 08540

Elric J. Endersby, Director

Two hundred twenty five interviews, 400

hours of tape, 40 per cent transcribed, (4500 pp.). No index, finding aids available. Open Mon. -Fri., 10-6.

The collection covers almost every aspect of the history of Princeton and of Princeton University. It includes much data on the surrounding areas of Mercer, Monmouth, Middlesex and Hunterdon counties. Those interested are urged to refer to or subscribe to the project's quarterly, The Princeton Recollector.

PRINCETON

Princeton University Library
Princeton 08540

Jean F. Preston, Curator of Manuscripts

The John Foster Dulles Oral History Collection

Collection contains 275 transcripts consisting of approximately 300 hours. Transcribed. Most open to scholars; restrictions on use and duplication.

The collection consists of a series of memoirs about John Foster Dulles and his times by the men and women who knew and worked with him. Some of the topics covered are the Versailles Treaty, League of Nations, NATO, Japanese Peace Treaty, Secretary of State, Dwight D. Eisenhower, U. S. Foreign Policy, McCarthyism, Bricker Amendment, etc. For catalogue contact Mrs. Pauline Waage, Firestone Library, Princeton 08540. Price, \$2.50.

RIDGEWOOD

Senior Speak
475 Grove Street
Ridgewood 07550

Dorothy Perron, Director

Twenty-five interviews, 25 or more hours. No transcripts, no index. Open by appointment. Project plans eventually to conduct 500-650 interviews.

Interviews are autobiographies of senior citizens of Bergen County. The collection is as varied as the county's population.

SOUTH ORANGE

New Jersey Catholic Historical Records Commission
Seton Hall University
South Orange 07079

Joseph F. Mahoney, Director
George P. Browne, Oral History Coordinator

Four interviews, 15 hours. Transcription in process, no index. Collection will be open upon completion of transcription and other processing. Some restrictions upon individual interviews. Hours: Tues., Sat., 8-4:30.

Project seeks to interview people who have been significantly involved in the history of New Jersey Catholicism or engaged in activity which was significant in that history. The oral histories are intended to complement the manuscript collections of the Commission.

SOUTH PLAINFIELD

South Plainfield Historical Society
1124 Foster Avenue
South Plainfield 07080

Richard H. Trexler, President

Sixteen interviews, approx. 6 hours. No transcripts, no index. Available to interested researchers at South Plainfield Public Library. Hours: Mon., Wed., Thurs., 10-9; Tues., Fri., 10-6; Sat., 9:30-3:30.

Interviews are with long-time South Plainfield residents and focus on the history of the community. Each interview has resulted in a news article in local papers. Interviews will eventually be used for a history of South Plainfield.

SUCCASUNNA

Roxbury Public Library
103 Main Street
Succasunna 07876

Constance Lane, Director

Seven interviews, 10 hours. No transcripts, no index. Open for use during library hours: Mon.-Fri., 12-9; Sat., 9-1.

Interviews concentrate on recollections of the area's past.

SUMMIT

Summit Historical Society
P. O. Box 223
Summit 07901

C. Baldwin White, President

Twelve interviews, 12 hours. Two interviews transcribed, no index. Collection also includes one 30-minute WKMB interview. Open by appointment.

Informal interviews with elderly Summit residents.

TEANECK

Teaneck Public Library
840 Teaneck Road
Teaneck 07666

Olive Ann Tamborelle, Director
Hilda Lipkin, Interviewer

Collection contains 100 hours. No transcripts, no index. Open during library hours: Mon.-Fri., 9-9; Sat., 9-5.

Memoirs of Teaneck and its Jewish community.

TITUSVILLE

Howell Living Historical Farm
Box 464-A
Titusville 08560

Mrs. Christine Howe, Director

Four interviews, 9 hours. No transcripts, no index. Collection closed.

Topics include farming and agriculture in early 20th-century New Jersey. The collection complements the work of the Living Farm, and it is used to replicate the methods and manner of farming of the era.

TRENTON

New Jersey Historical Commission
113 West State Street
Trenton 08625

Bernard Bush, Executive Director

Ronald J. Grele, Director, Oral History Program

Aside from its own program the

Commission has on hand a number of taped interviews and programs collected from other sources.

New Jersey Legislative and Congressional Leaders Series: 15 interviews, 38 hours. Transcription in progress, no index, closed until completion of processing.

Memoirs of the Great Depression: 22 interviews donated by the Learning Resources Center of Brookdale Community College. No transcripts. Basic descriptors available. Open to interested researchers.

James Lee interviews on Morris canal: 10 interviews, transcribed. Open. History and folklore of the Morris Canal.

VINELAND

Cumberland County College
P. O. Box 517
Vineland 08360

Professor Thomas H. Brown
Department of Social Science

Forty interviews, 50 hours. No transcripts, no index.

Autobiographical narratives of local residents collected by college students. Though topics range broadly, the major concentration includes some interviews on Gouldtown, Japanese-American migrants, the Ku Klux Klan in New Jersey and recent migrants to Vineland. For information on access contact Professor Brown.

WAYNE

Wayne Historical Commission
Van Riper-Hopper House Museum
533 Beardan Avenue

Wayne 07470

Mrs. Donna Grey, Resident Guide

Twenty-six interviews, 13 hours. Transcription and index in progress. Available for use at the museum. Hours: Mon.-Tues., Fri.-Sun., 1-5.

Collection is focused on events in the recent past of Wayne.

WESTFIELD

Westfield Historical Society
Westfield Public Library
425 East Broad Street
Westfield 07090

Walter G. Perry, President
Patricia B. Winter, Assistant Director,
Library

Sixteen interviews, 125 hours. Four interviews, 44 pp. transcribed. Index planned. Closed until completion of editing and processing.

A collaborative project between the society and the library. Interviews on the history of Westfield conducted with a broad range of Westfield residents.

THE
NEW JERSEY HISTORICAL COMMISSION is
in the Division of the State Library, Archives
and History, Department of Education. The
Commission formulates and implements pro-
grams to advance public knowledge of the his-
tory of New Jersey and the United States. It
advises and cooperates with other public and
private agencies on historical programs.

Henry N. Drewry, Chairman/Donald A. Sin-
clair, Vice-Chairman/John T. Cunningham/
Assemblyman James R. Hurley/Kenneth Q.
Jennings/Richard P. McCormick/Sister Mar-
gherita Marchione / Assemblyman Harold
Martin/Senator James P. Vreeland, Jr./Sen-
ator Laurence S. Weiss

Ex Officio: Judith W. Blood, Acting Chief,
State office of Historic Preservation/Barba-
ra F. Weaver, State Librarian

Staff: Bernard Bush, Executive Director /
Richard Waldron, Associate Director/Peggy
Lewis, Editor/Paul A. Stelhorn, Research
Director/Lee R. Parks, Associate Editor/
Ronald J. Grele, Director, Oral History Pro-
gram/Mary Alice Quigley, Public Programs
Coordinator/Nancy H. Dallaire, Editorial
Assistant/John F. Reynolds, Research As-
sistant

Brendan Byrne, Governor

STATE BOARD OF EDUCATION

P. Paul Ricci, Vineland, President/S. David
Brandt, Cherry Hill, Vice President/Wil-
liam Colon, Jersey City/Anne S. Dilman,
Perth Amboy/Ruth H. Mancuso, Glassboro/
E. Constance Montgomery, Morristown /
Katherine Neuberger, Lincroft, State Board
of Higher Education/Sonia B. Ruby, Atlan-
tic City/Jack Slater, Paterson/Susan N. Wil-
son, Princeton

Secretary: Fred G. Burke, Commissioner
of Education

Ex Officio: T. Edward Hollander, Chancel-
lor of Higher Education

New Jersey Historical Commission

113 W. State St./Trenton, NJ 08625